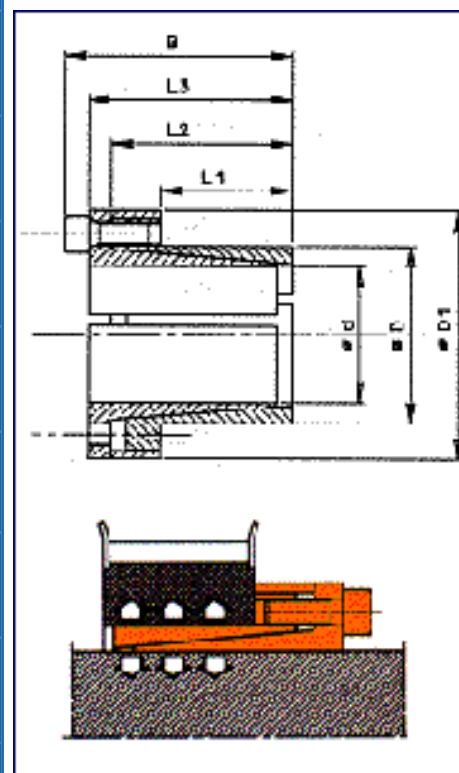
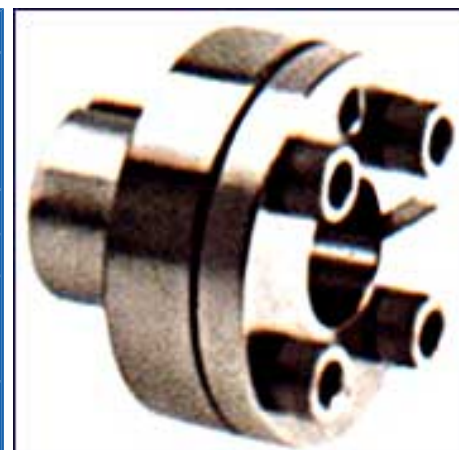




zverné hriadelové spojenia TLK 110 Samostrediace



dxD	L1	L2	L3	B	D1	Krútiaci moment M t	Axiálna sila Fa	Tlaky na		Upínacie šraubý	
								hriadel	náboj	Počet DIN 912 12.9	Utahovací moment Ms
								pw	pn		
mm	mm	mm	mm	mm	mm	Nm	KN	N/mm ²	N/mm ²	NxTyp	Nm
6x14	10	18.5	21	24	25	12	4	185	80	3xM3	2
7x15	12	22	25	29	27	25	7	235	110	3xM4	5
8x15	12	22	25	29	27	29	7	205	110	3xM4	5
9x16	14	23	26	30	28	44	10	205	115	3xM4	5
10x16	14	23	26	30	28	49	10	185	115	4xM4	5
11x18	14	23	26	30	32	53	10	170	105	4xM4	5
12x18	14	23	26	30	32	58	10	160	105	4xM4	5
13x23	14	23	26	30	38	63	10	140	80	4xM4	5
14x23	14	23	26	30	38	68	10	130	80	4xM4	5
15x23	14	24	30	35	39	120	16	205	135	4xM5	10
15x24	16	29	36	42	45	127	17	185	115	3xM6	17
16x24	16	29	36	42	45	136	17	175	115	3xM6	17
17x26	18	31	38	44	47	180	22	190	125	4xM6	17
18x26	18	31	38	44	47	200	22	180	125	4xM6	17
19x27	18	31	38	44	49	210	22	170	120	4xM6	17
19x28	18	31	38	43	49	150	16	125	85	4xM5	10
20x28	18	31	38	44	50	220	22	160	115	4xM6	17
22x32	25	38	45	51	54	250	22	115	80	4xM6	17
24x34	25	38	45	51	56	270	22	105	75	4xM6	17
25x34	25	38	45	51	56	280	22	100	75	4xM6	17
28x39	25	38	45	51	61	465	33	135	97	6xM6	17
30x41	25	38	45	51	62	510	33	127	90	6xM6	17
32x43	25	38	45	51	65	540	33	120	90	6xM6	17
35x47	32	45	52	58	69	790	45	105	80	8xM6	17
38x50	32	45	52	58	72	860	45	100	75	8xM6	17
40x53	32	45	52	58	75	900	45	95	70	8xM6	17
42x55	32	45	52	58	78	950	45	90	70	8xM6	17
45x59	45	62	70	78	86	1890	84	110	85	8xM8	41
48x62	45	62	70	78	87	2010	84	105	80	8xM8	41
50x65	45	62	70	78	92	2100	84	100	75	8xM8	41
55x71	55	72	80	88	98	2600	94	85	65	9xM8	41
60x77	55	72	80	88	104	2840	94	75	60	9xM8	41
65x84	55	72	80	88	111	3070	94	70	55	9xM8	41
70x90	65	86	96	106	119	5250	150	90	70	9xM10	83
75x95	65	86	96	106	126	5600	150	80	65	9xM10	83
80x100	65	86	96	106	131	8020	200	100	80	12xM10	83
85x106	65	86	96	106	137	8500	200	95	75	12xM10	83
90x112	65	86	96	106	144	9000	200	90	75	12xM10	83
95x120	65	86	96	106	149	11000	230	100	80	14xM10	83
100x125	65	86	96	106	154	15000	300	120	95	18xM10	83
110x140	90	114	128	140	180	16000	290	80	65	12xM12	145
120x155	90	114	128	140	198	17500	290	70	55	12xM12	145
130x165	90	114	128	140	208	25000	384	90	70	16xM12	145



BIBUS
SUPPORTING YOUR SUCCESS

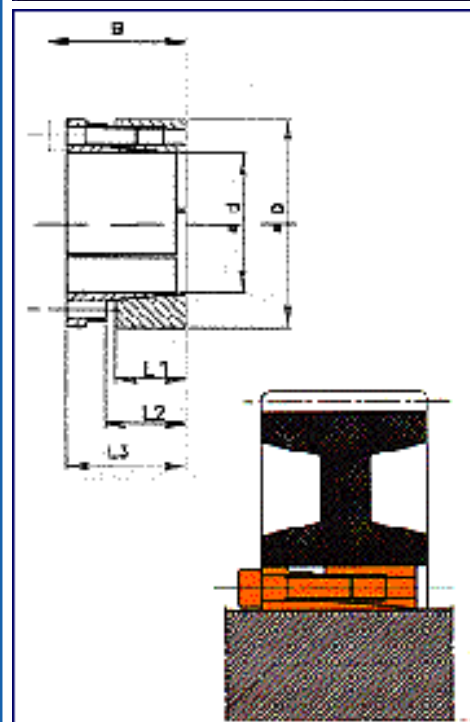
BIBUS SK, s.r.o.
Priemyselná 4
949 01 Nitra
tel.: 037/741 2525-26
fax: 037/651 6701
<http://www.bibus.sk>
e-mail: sale@bibus.sk



zverné hriadelové spojenia TLK 130 Samostrediace



	L1	L2	L3	B	Upínacie šraubí			Tlaky na		
					Pocet DIN 912 12,9	Utahovací moment	Krútiaci moment	Axiálna sila	hriadel	náboj
						Ms	Mt	Fa	pw	pn
mm	mm	mm	mm	mm	NxTyp	Nm	Nm	KN	N/mm ²	N/mm ²
20x47	26	29	42	48	6xM6	17	540	54	250	105
22x47	26	29	42	48	6xM6	17	600	54	230	105
24x50	26	29	42	48	6xM6	17	650	54	210	100
25x50	26	29	42	48	6xM6	17	680	54	200	100
28x55	26	29	42	48	6xM6	17	760	54	180	95
30x55	26	29	42	48	6xM6	17	820	54	170	95
32x60	26	29	42	48	9xM6	17	1310	82	235	125
35x60	26	29	42	48	9xM6	17	1440	82	215	125
38x65	26	29	42	48	9xM6	17	1560	82	200	115
40x65	26	29	42	48	9xM6	17	1640	82	190	115
42x75	30	34.4	51	59	6xM8	41	2130	101	215	120
45x75	30	34.4	51	59	6xM8	41	2280	101	200	120
48x80	30	34.4	51	59	6xM8	41	2430	101	190	115
50x80	30	34.4	51	59	6xM8	41	2530	101	180	115
55x85	30	34.4	51	59	9xM8	41	4180	152	245	160
60x90	30	34.4	51	59	9xM8	41	4560	152	225	150
65x95	30	34.4	51	59	9xM8	41	4940	152	210	145
70x110	40	45	56	66	7xM10	83	6500	186	175	110
75x115	40	45	56	66	7xM10	83	7000	186	165	110
80x120	40	45	56	66	7xM10	83	7400	186	155	100
85x125	40	45	56	66	8xM10	83	9000	213	170	115
90x130	40	45	56	66	8xM10	83	9600	213	160	110
95x135	40	45	56	66	10xM10	83	12600	267	185	130
100x145	46	52	65	77	7xM12	145	13300	270	160	105
110x155	46	52	65	77	7xM12	145	14700	270	140	100
120x165	46	52	65	77	8xM12	145	18400	309	150	110
130x180	46	52	65	77	10xM12	145	25100	388	175	125
140x190	51	58.5	73.5	87.5	11xM14	230	40150	586	220	160
150x200	51	58.5	73.5	87.5	12xM14	230	47000	639	225	165
160x210	51	58.5	73.5	87.5	13xM14	230	54300	692	225	170
170x225	51	58.5	73.5	87.5	14xM14	230	63000	746	230	175
180x235	51	58.5	73.5	87.5	14xM14	230	66000	746	215	170



BIBUS
SUPPORTING YOUR SUCCESS

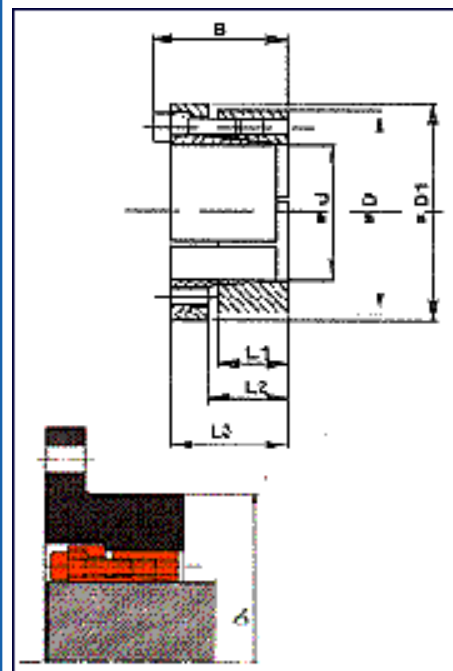
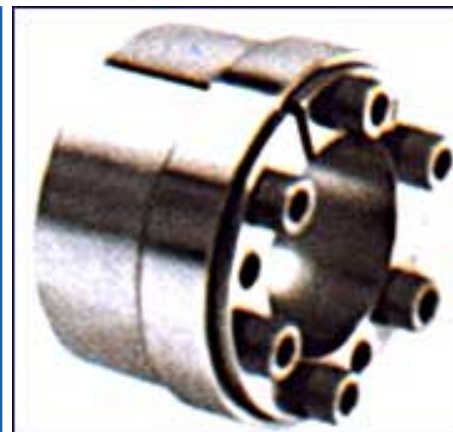
BIBUS SK, s.r.o.
Priemyselná 4
949 01 Nitra
tel.: 037/741 2525-26
fax: 037/651 6701
<http://www.bibus.sk>
e-mail: sale@bibus.sk



zverné hriadelové spojenia TLK 131 Samostrediace



dxD	L1	L2	L3	B	D1	Upínacie šraubí				Tlaky na	
						Pocet DIN 912 12.9	Utahovací moment	Krútiaci moment	Axiálna sila	hriadel	náboj
mm	mm	mm	mm	mm	mm	Nxtyp	Nm	Nm	KN	N/mm ²	N/mm ²
20x17	26	29	42	48	53	6xM6	17	330	33.6	155	65
22x47	26	29	42	48	53	6xM6	17	370	33.6	145	65
24x50	26	29	42	48	56	6xM6	17	400	33.6	140	60
25x50	26	29	42	48	56	6xM6	17	420	33.6	125	60
28x55	26	29	42	48	61	6xM6	17	470	33.6	110	60
30x55	26	29	42	48	61	6xM6	17	510	33.6	105	60
32x60	26	29	42	48	66	9xM6	17	810	51	145	80
35x60	26	29	42	48	66	9xM6	17	890	51	135	80
38x65	26	29	42	48	71	9xM6	17	970	51	125	70
40x65	26	29	42	48	71	9xM6	17	1020	51	120	70
42x75	30	34.4	51	59	81	6xM8	41	1320	62.8	135	75
45x75	30	34.4	51	59	81	6xM8	41	1410	62.8	125	75
48x80	30	34.4	51	59	86	6xM8	41	1510	62.8	120	70
50x80	30	34.4	51	59	86	6xM8	41	1570	62.8	110	70
55x85	30	34.4	51	59	91	9xM8	41	2600	94.6	150	100
60x90	30	34.4	51	59	96	9xM8	41	2830	94.6	140	95
65x95	30	34.4	51	59	102	9xM8	41	3070	94.6	130	90
70x110	40	45	56	66	117	7xM10	83	4000	116	110	70
75x115	40	45	56	66	122	7xM10	83	4300	116	100	65
80x120	40	45	56	66	127	7xM10	83	4600	116	100	65
85x125	40	45	56	66	132	8xM10	83	5600	133	105	70
90x130	40	45	56	66	137	8xM10	83	6000	133	100	70
95x135	40	45	56	66	142	10xM10	83	7900	167	115	80
100x145	46	52	65	77	153	7xM12	145	8470	169	100	65
110x155	46	52	65	77	163	7xM12	145	9200	169	90	65
120x165	46	52	65	77	173	8xM12	145	11600	193	90	70
130x180	46	52	65	77	188	10xM12	145	15700	242	110	80
140x190	51	58.5	73.5	87.5	199	11xM14	230	25300	366	135	100
150x200	51	58.5	73.5	87.5	209	12xM14	230	29500	399	140	105
160x210	51	58.5	73.5	87.5	219	13xM14	230	31900	432	140	110
170x255	51	58.5	73.5	87.5	234	14xM14	230	39500	466	145	110
180x235	51	58.5	73.5	87.5	244	14xM14	230	41500	466	135	105



BIBUS
SUPPORTING YOUR SUCCESS

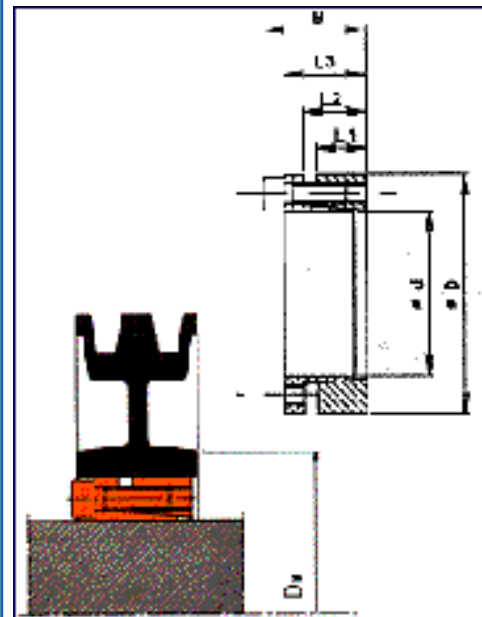
BIBUS SK, s.r.o.
Priemyselná 4
949 01 Nitra
tel.: 037/741 2525-26
fax: 037/651 6701
<http://www.bibus.sk>
e-mail: sale@bibus.sk



zverné hriadelové spojenia TLK 132 Samostrediace



dxD	L1	L2	L3	B	Upínacie šraubý			Tlaky na		
					Pocet DIN 912 12,9	Utahovací moment	Krútiaci moment	Axiálna sila	hriadel	náboj
						Ms	M t	Fa	pw	pn
mm	mm	mm	mm	mm	NxTyp	Nm	Nm	KN	N/mm ²	N/mm ²
20x47	17	22	28	34	5xM6	14	380	38	295	125
22x47	17	22	28	34	5xM6	14	410	38	270	125
24x50	17	22	28	34	5xM6	14	450	38	245	120
25x50	17	22	28	34	6xM6	14	570	46	285	140
28x55	17	22	28	34	6xM6	14	630	46	255	130
30x55	17	22	28	34	6xM6	14	660	46	235	130
32x60	17	22	28	34	8xM6	14	970	60	295	155
35x60	17	22	28	34	8xM6	14	1060	60	270	155
38x65	17	22	28	34	8xM6	14	1150	60	250	145
40x65	17	22	28	34	8xM6	14	1210	60	235	145
42x75	20	25	33	41	7xM8	35	2050	98	300	170
45x75	20	25	33	41	7xM8	35	2200	98	290	170
48x80	20	25	33	41	7xM8	35	2350	98	270	160
50x80	20	25	33	41	7xM8	35	2450	98	260	160
55x85	20	25	33	41	8xM8	35	3080	112	270	175
60x90	20	25	33	41	8xM8	35	3360	112	245	165
65x95	20	25	33	41	9xM8	35	4090	126	255	175
70x110	24	30	40	50	8xM10	70	6300	179	280	180
75x115	24	30	40	50	8xM10	70	6700	179	260	170
80x120	24	30	40	50	8xM10	70	7150	179	250	170
85x125	24	30	40	50	9xM10	70	8500	200	260	180
90x130	24	30	40	50	9xM10	70	9100	200	250	170
95x135	24	30	40	50	9xM10	70	10600	224	560	180
100x145	26	32	44	56	8xM12	125	13400	268	270	190
110x155	26	32	44	56	8xM12	125	14600	268	240	180
120x165	26	32	44	56	9xM12	125	17900	298	250	180
130x180	34	40	54	66	12xM12	125	26000	400	240	170
140x190	34	40	54	68	9xM14	190	27000	384	210	150
150x200	34	40	54	68	10xM14	190	33000	440	230	170
160x210	34	40	54	68	10xM14	190	38000	479	230	170
170x225	44	50	64	78	12xM14	190	45000	530	180	130
180x235	44	50	64	78	12xM14	190	47000	530	170	130
190x250	44	50	64	78	15xM14	190	62900	660	210	150
200x260	44	50	64	78	15xM14	190	66000	660	190	150



BIBUS
SUPPORTING YOUR SUCCESS

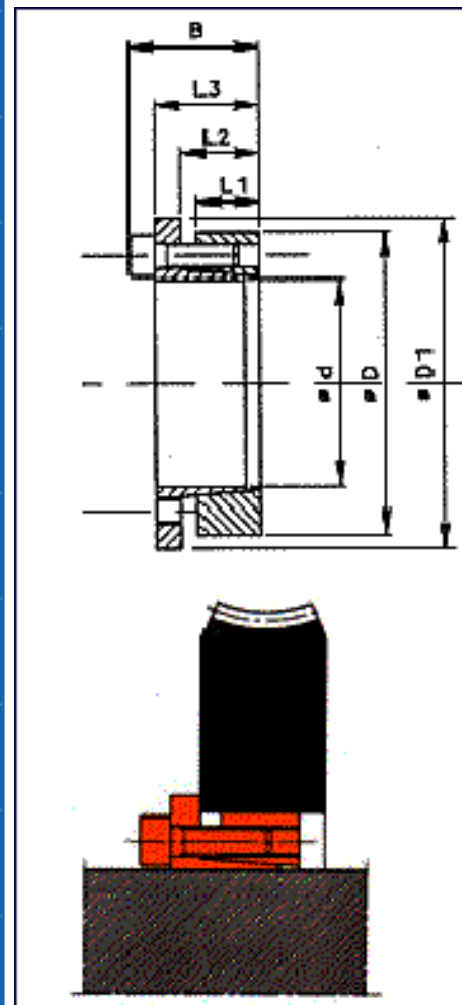
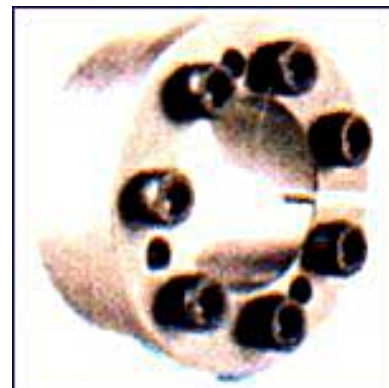
BIBUS SK, s.r.o.
Priemyselná 4
949 01 Nitra
tel.: 037/741 2525-26
fax: 037/651 6701
http://www.bibus.sk
e-mail: sale@bibus.sk



zverné hriadelové spojenia TLK 133 Samostrediace



dxD	L1	L2	L3	B	D1	Upínacie šrouby			Tlaky na		
						Pocet DIN 912 12,9	Utahovací moment	Krútiaci moment	Axiálna sila	hriadel	náboj
							Ms	Mt	Fa	pw	pn
mm	mm	mm	mm	mm	mm	NxTyp	Nm	Nm	KN	N/mm ²	N/mm ²
20x47	17	22	28	34	54	5xM6	17	280	28	220	95
22x47	17	22	28	34	54	5xM6	17	300	28	200	95
24x50	17	22	28	34	57	5xM6	17	330	28	180	90
25x50	17	22	28	34	57	6xM6	17	420	34	210	105
28x55	17	22	28	34	62	6xM6	17	470	34	190	95
30x55	17	22	28	34	62	6xM6	17	500	34	175	95
32x62	17	22	28	34	67	8xM6	17	720	45	220	115
35x60	17	22	28	34	67	8xM6	17	790	45	200	115
38x65	17	22	28	34	72	8xM6	17	850	45	185	105
40x65	17	22	28	34	72	8xM6	17	900	45	175	105
42x75	20	25	33	41	82	7xM8	41	1530	73	225	125
45x75	20	25	33	41	82	7xM8	41	1650	73	215	125
48x80	20	25	33	41	87	7xM8	41	1760	73	200	120
50x80	20	25	33	41	87	7xM8	41	1830	73	195	120
55x85	20	25	33	41	92	8xM8	41	2300	83	200	130
60x90	20	25	33	41	97	8xM8	41	2510	83	185	125
65x95	20	25	33	41	102	9xM8	41	3060	94	190	130
70x110	24	30	40	50	117	8xM10	83	4670	133	210	135
75x115	24	30	40	50	122	8xM10	83	5000	133	195	125
80x120	24	30	40	50	127	8xM10	83	5300	133	185	125
85x125	24	30	40	50	132	9xM10	83	6300	148	195	135
90x130	24	30	40	50	137	9xM10	83	6750	148	185	130
95x135	24	30	40	50	142	10xM10	83	7900	166	195	135
100x145	26	32	44	56	152	8xM12	145	9700	194	200	140
110x155	26	32	44	56	162	8xM12	145	10600	194	180	130
120x165	26	32	44	56	172	9xM12	145	13000	216	185	135
130x180	34	40	54	66	187	12xM12	145	18900	290	175	125
140x190	34	40	54	68	197	9xM14	230	20500	290	165	120
150x200	34	40	54	68	207	10xM14	230	25000	333	175	130
160x210	34	40	54	68	217	12xM14	230	29000	362	180	135
170x225	44	50	64	78	232	12xM14	230	34000	400	140	105
180x235	44	50	64	78	242	12xM14	230	36000	400	135	105
190x250	44	50	64	78	257	15xM14	230	47500	500	160	120
200x260	44	50	64	78	267	15xM14	230	50000	500	150	115



BIBUS
SUPPORTING YOUR SUCCESS

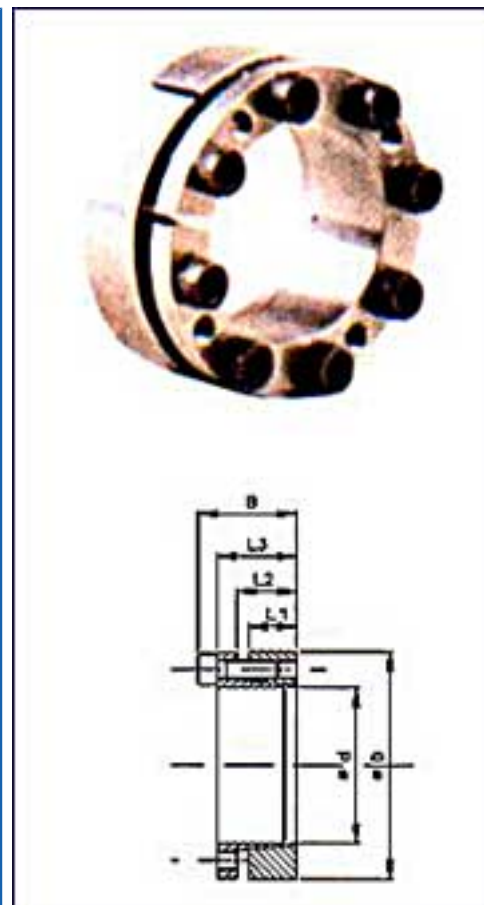
BIBUS SK, s.r.o. □
Priemyselná 4 □
949 01 Nitra □
tel.: 037/741 2525-26 □
fax: 037/651 6701 □
http://www.bibus.sk □



zverné hriadelové spojenia TLK 139 Samostrediace



dxD	L1	L2	L3	B	Tlaky na				Upínacie šraubý	
					Krútiaci moment	Axiálna sila	hriadel	náboj	Pocet DIN 912 12.9	Utahovací moment
					Mt	Fa	pw	pn		Ms
mm	mm	mm	mm	mm	Nm	KN	N/mm ²	N/mm ²	NxTyp	Nm
18x40	12	15	20	24	210	23.7	233	131	6xM4	5
19x41	12	15	20	24	220	23.7	221	128	6xM4	5
20x42	12	15	20	24	270	27.7	245	146	7xM4	5
22x44	12	15	20	24	300	27.7	223	139	7xM4	5
24x46	12	15	20	24	330	27.7	204	133	7xM4	5
25x47	12	15	20	24	340	27.7	196	130	7xM4	5
28x50	12	15	20	24	500	35.6	225	157	9xM4	5
30x52	12	15	20	24	530	35.6	210	151	9xM4	5
32x54	12	15	20	24	570	35.6	197	146	9xM4	5
35x57	16	19	24	28	690	39.5	158	115	10xM4	5
36x58	16	19	24	28	710	39.5	153	113	10xM4	5
38x60	16	19	24	28	830	43.5	160	120	11xM4	5
40x62	16	19	24	28	870	43.5	152	116	11xM4	5
42x70	19	23	30	36	1530	73.0	200	146	8xM6	17
45x73	19	23	30	36	1640	73.0	187	140	8xM6	17
48x76	19	23	30	36	1750	73.0	175	134	8xM6	17
50x78	19	23	30	36	1820	73.0	168	131	8xM6	17
55x83	19	23	30	36	2000	73.0	153	123	8xM6	17
56x84	19	23	30	36	2040	73.0	150	121	8xM6	17
60x88	19	23	30	36	2460	82.1	158	130	9xM6	17
63x91	19	23	30	36	2580	82.1	150	126	9xM6	17
65x93	19	23	30	36	2660	82.1	146	123	9xM6	17
70x105	23	28	37	45	4720	134.8	183	148	8xM8	41
75x110	23	28	37	45	5050	134.8	170	141	8xM8	41
80x115	23	28	37	45	5390	134.8	160	135	8xM8	41
85x120	23	28	37	45	5730	134.8	150	130	8xM8	41
90x125	23	28	37	45	7580	168.5	177	156	10xM8	41



BIBUS
SUPPORTING YOUR SUCCESS

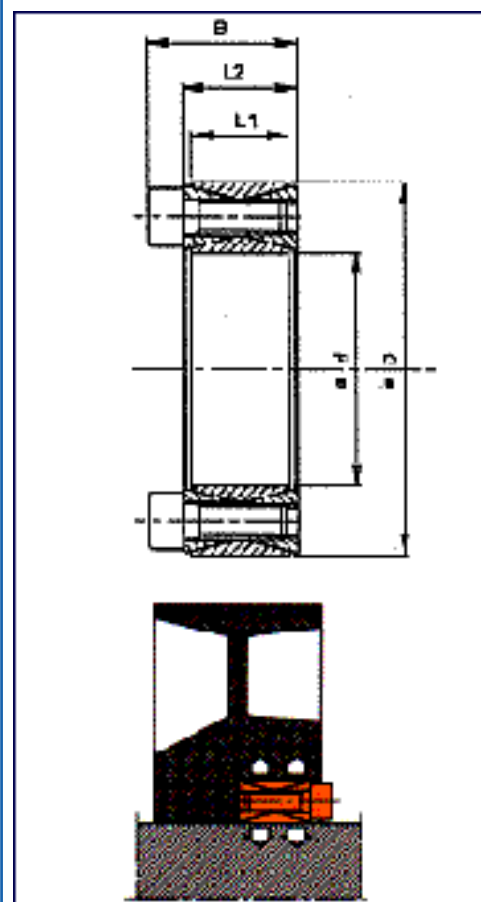
BIBUS SK, s.r.o.
Priemyselná 4
949 01 Nitra
tel.: 037/741 2525-26
fax: 037/651 6701
http://www.bibus.sk
e-mail: sale@bibus.sk



zverné hriadelové spojenia TLK 200 Nesamostrediace



dxD	L1	L2	B	Krútiaci moment	Axiálna sila	Tlaky na		Upínacie šraubý	
						hriadel	náboj	Pocet DIN 912 12.9	Utahovací moment Ms
				M t	Fa	pw	pn		
mm	mm	mm	mm	Nm	KN	N/mm ²	N/mm ²	NxTyp	Nm
20x47	17	20	27.5	280	29	225	95	8xM6	15
22x47	17	20	27.5	310	29	210	95	8xM6	15
24x50	17	20	27.5	370	32	210	100	8xM6	15
25x50	17	20	27.5	400	32	200	100	8xM6	15
28x55	17	20	27.5	500	36	200	100	10xM6	15
30x55	17	20	27.5	530	36	185	100	10xM6	15
32x60	17	20	27.5	680	42	205	110	12xM6	15
35x60	17	20	27.5	750	43	190	110	12xM6	15
38x65	17	20	27.5	930	49	200	115	14xM6	15
40x65	17	20	27.5	980	49	190	115	14xM6	15
42x75	20	24	33.5	1580	75	235	130	12xM8	37
45x75	20	24	33.5	1700	76	220	130	12xM8	37
48x80	20	24	33.5	1790	74	210	120	12xM8	37
50x80	20	24	33.5	1870	75	200	120	12xM8	37
55x85	20	24	33.5	2390	88	210	135	14xM8	37
60x90	20	24	33.5	2610	88	190	125	14xM8	37
65x95	20	24	33.5	3210	98	200	135	16xM8	37
70x110	24	28	39.5	4600	132	210	130	14xM10	70
75x115	24	28	39.5	4900	131	195	125	14xM10	70
80x120	24	28	39.5	5200	131	180	120	14xM10	70
85x125	24	28	39.5	6300	148	195	130	16xM10	70
90x130	24	28	39.5	6600	147	180	125	16xM10	70
95x135	24	28	39.5	7900	167	195	135	18xM10	70
100x145	26	33	47	9750	195	195	135	14xM12	127
110x155	26	33	47	10650	194	180	125	14xM12	127
120x165	26	33	47	13300	221	185	135	16xM12	127
130x180	34	38	52	17850	276	165	115	20xM12	127
140x190	34	38	52	21200	302	165	125	22xM12	127
150x200	34	38	52	24500	329	170	125	24xM12	127
160x210	34	38	52	28400	355	170	130	26xM12	127
170x225	38	44	60	33600	396	165	120	22xM14	195
180x235	38	44	60	38700	431	170	130	24xM14	195
190x250	46	52	68	44700	502	155	120	28xM14	195
200x260	46	52	68	53500	538	155	120	30xM14	195
220x285	50	56	74	68500	630	155	120	26xM16	300
240x305	50	56	74	86000	717	165	130	30xM16	300
260x325	50	56	74	105000	810	165	135	34xM16	300
280x355	60	66	86.5	128500	920	150	120	32xM18	410
300x375	60	66	86.5	153600	1025	155	125	36xM18	410



320x405	72	78	100.5	210500	1325	155	125	36xM20	590
340x425	72	78	100.5	225000	1325	150	120	36xM20	590
360x455	84	90	116	294700	1635	150	120	36xM22	790
380x475	84	90	116	309100	1625	140	120	36xM22	790
400x495	84	90	116	321900	1617	135	110	36xM22	790
420x515	84	90	116	374000	1780	135	110	40xM22	790
440x545	96	102	130	455000	2060	130	105	40xM24	1000
460x565	96	102	130	470000	2040	125	100	40xM24	1000
480x585	96	102	130	515000	2160	125	100	42xM24	1000
500x605	96	102	130	560000	2240	125	100	44xM24	1000
520x630	96	102	130	600000	2320	125	100	45xM24	1000
540x650	96	102	130	360000	2340	120	100	45xM24	1000
560x670	96	102	130	680000	2440	120	100	48xM24	1000
580x690	96	102	130	735000	2540	120	100	50xM24	1000
600x710	96	102	130	775000	2580	120	100	50xM24	1000
620x730	96	102	130	825000	2660	120	100	52xM24	1000
640x750	96	102	130	865000	2700	115	100	54xM24	1000
660x770	96	102	130	925000	2800	120	100	56xM24	1000
680x790	96	102	130	965000	2840	115	100	56xM24	1000
700x810	96	102	130	1030000	2960	115	100	60xM24	1000
720x830	96	102	130	1070000	2980	115	100	60xM24	1000
740x850	96	102	130	1140000	3080	115	100	62xM24	1000
760x870	96	102	130	1210000	3180	115	100	64xM24	1000
780x890	96	102	130	1250000	3220	115	100	65xM24	1000
800x910	96	102	130	1300000	3260	115	100	66xM24	1000
820x930	96	102	130	1370000	3340	115	100	68xM24	1000
840x950	96	102	130	1450000	3460	115	100	70xM24	1000
860x970	96	102	130	1520000	3540	115	100	72xM24	1000
880x990	96	102	130	1590000	3620	115	100	74xM24	1000
900x1010	96	102	130	1650000	3680	115	100	75xM24	1000

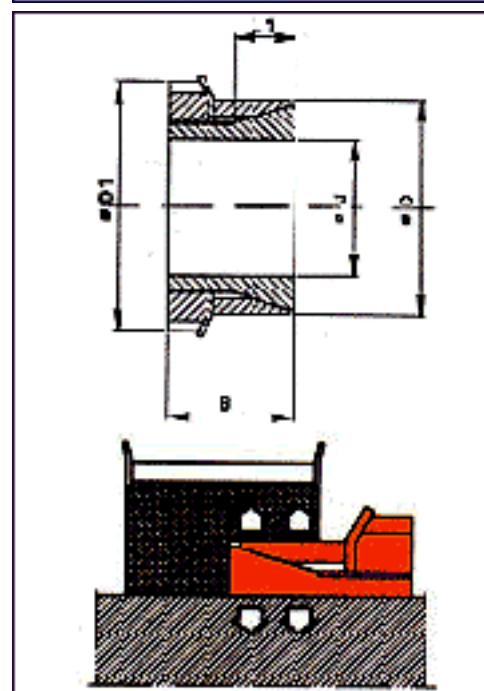
BIBUS SK, s.r.o.
Priemyselná 4
949 01 Nitra
tel.: 037/741 2525-26
fax: 037/651 6701
http://www.bibus.sk
e-mail: sale@bibus.sk



zverné hriadelové spojenia TLK 250 Nesamostrediace



dxD	B	L1	D1	Krútiaci moment	Axiálna sila	Tlaky na		Matice	
						hriadel	náboj	Typ	Utahovací moment
						pw	pn		Ms
mm	mm	mm	mm	Nm	KN	N/mm ²	N/mm ²		Nm
14x25	16.5	6.5	32	38	5	200	110	KM4	95
15x25	16.5	6.5	32	41	5	185	110	KM4	95
16x25	16.5	6.5	32	43	5	174	110	KM4	95
17x30	18.0	6.5	38	55	6	197	112	KM5	160
18x30	18.0	6.5	38	58	6	186	112	KM5	160
19x30	18.0	6.5	38	62	7	176	112	KM5	160
20x30	18.0	6.5	38	66	7	167	111	KM5	160
22x35	18.0	6.5	45	96	8	202	127	KM6	220
24x35	18.0	6.5	45	105	9	185	127	KM6	220
25x35	18.0	6.5	45	110	9	178	127	KM6	220
28x40	19.5	7.0	52	150	10	176	123	KM7	340
30x40	19.5	7.0	52	160	11	164	123	KM7	340
32x45	21.5	8.0	58	210	12	167	120	KM8	480
35x45	21.5	8.0	58	230	13	153	120	KM8	480
36x45	21.5	8.0	58	240	13	149	120	KM8	480
38x52	24.5	10.0	65	290	14	126	93	KM9	680
40x52	24.5	10.0	65	310	15	120	93	KM9	680
42x55	25.5	10.0	70	370	17	131	96	KM10	870
45x57	25.5	10.0	70	400	18	122	96	KM10	870
48x62	25.5	10.0	75	500	21	135	105	KM11	970
50x62	25.5	10.0	75	520	21	130	105	KM11	970
55x68	27.5	12.0	80	610	22	103	84	KM12	1100
56x68	27.5	12.0	80	620	22	101	82	KM12	1100
60x73	28.5	12.0	85	800	27	113	93	KM13	1300
63x79	30.5	14.0	92	980	31	107	86	KM14	1600
65x79	30.5	14.0	92	1010	31	104	86	KM14	1600
70x84	31.5	14.0	98	1240	35	110	92	KM15	2000



BIBUS
SUPPORTING YOUR SUCCESS

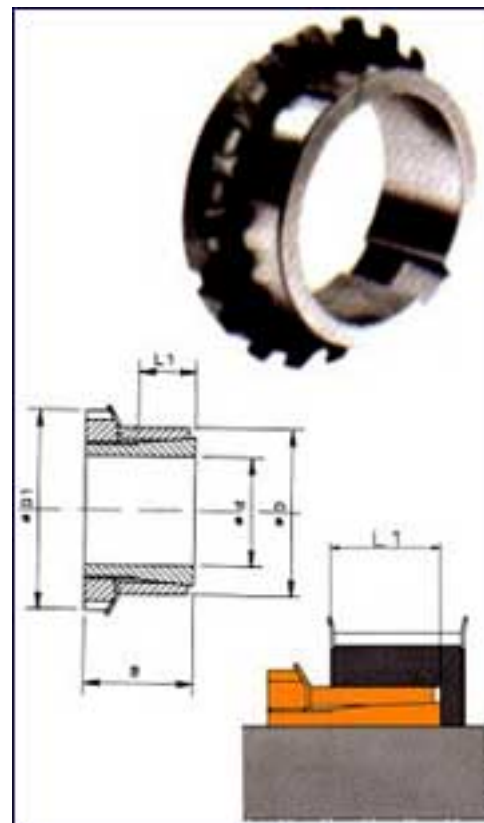
BIBUS SK, s.r.o.
Priemyselná 4
949 01 Nitra
tel.: 037/741 2525-26
fax: 037/651 6701
http://www.bibus.sk
e-mail: sale@bibus.sk



zverné hriadelové spojenia TLK 250 L Samostrediace



dxD	B	L1	D1	Krútiaci moment	Axiálna sila	Tlaky na		Matice	
						hriadel	náboj	Typ	Utahovací moment
						Mt	Fa		pw
mm	mm	mm	mm	Nm	KN	N/mm ²	N/mm ²		Nm
14x25	30	20	32	64	9	85	45	KM4	95
15x25	30	20	32	70	9	80	45	KM4	95
16x25	30	20	32	73	9	75	45	KM4	95
17x25	32	20	32	80	9	70	45	KM4*	95
18x30	32	20	38	100	10	80	45	KM5	160
19x30	32	20	38	105	11	75	45	KM5	160
20x30	32	20	38	112	11	70	45	KM5	160
22x35	36	25	45	163	14	70	45	KM6	220
24x35	36	25	45	178	14	65	45	KM6	220
25x35	36	25	45	185	14	60	45	KM6	220
28x40	42	30	52	250	17	55	40	KM7	340
30x40	42	30	52	270	17	50	40	KM7	340
32x45	44	30	58	350	21	60	45	KM8	480
35x45	44	30	58	390	21	55	45	KM8	480
38x50	45	30	65	500	26	60	45	KM9	680
40x50	45	30	65	520	26	55	45	KM9	680
42x55	46	30	70	630	30	65	50	KM10	870
45x55	46	30	70	680	30	60	50	KM10	870
48x60	46	30	75	840	35	60	50	KM11	970
50x60	46	30	75	880	35	60	50	KM11	970
55x65	46	30	80	1030	37	60	50	KM12	1100
60x70	52	30	85	1360	45	65	55	KM13	1300



BIBUS
SUPPORTING YOUR SUCCESS

* bez poistnej podložky

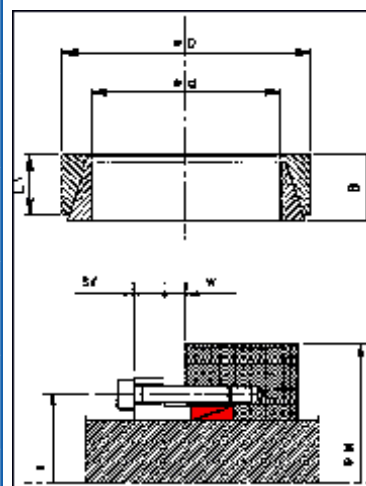
BIBUS SK, s.r.o.
Priemyselná 4
949 01 Nitra
tel.: 037/741 2525-26
fax: 037/651 6701
http://www.bibus.sk
e-mail: sale@bibus.sk



zverné hriadelové spojenia TLK 300 Nesamostrediace



Rozmery			Predpínacia sila Pt	Krútiaci moment Mt	Axiálna sila Fa	Upínacia vzdialenosť W pred utiahnutím šraubov				Distancný krúžok		Tlaky na	
dx	D	L1				1	2	3	4	Vnútorý d1	Vonkajší D1	hriadel pw	náboj pn
mm	mm	mm	N	Nm	KN	mm	mm	mm	mm	mm	mm	N/mm ²	N/mm ²
6x9	4,5	3,7	-	2	0,84	2,5	2,5	3	4	6,1	8,9	115	75
7x10	4,5	3,7	-	3	0,86	2,5	2,5	3	4	6,1	9,9	105	70
8x11	4,5	3,7	-	5	1,17	2,5	2,5	3	4	6,1	10,9	120	90
9x12	4,5	3,7	7650	8	1.76	2.5	2.5	3.0	4.0	9.1	11.9	140	105
10x13	4.5	3.7	7000	10	1.91	2.5	2.5	3.0	4.0	10.1	12.9	135	105
12x15	4,5	3,7	7000	11	1.91	2.5	2.5	3.0	4.0	12.1	14.9	115	90
13x16	4,5	3,7	6500	13	2.02	2.5	2.5	3.0	4.0	13.1	15.9	110	90
14x18	6.3	5.3	11000	22	3.18	3.5	3.5	4.5	5.5	14.1	17.9	115	90
15x19	6.3	5.3	10800	24	3.24	3.5	3.5	4.5	5.5	15.1	18.9	110	85
16x20	6.3	5.3	10000	27	3.42	3.5	3.5	4.5	5.5	16.1	19.9	105	85
17x21	6.3	5.3	9600	30	3.51	3.5	3.5	4.5	5.5	17.1	20.9	105	85
18x22	6.3	5.3	9150	32	3.61	3.5	3.5	4.5	5.5	18.1	21.9	100	80
19x24	6.3	5.3	12500	49	5.22	3.5	3.5	4.5	5.5	19.2	23.8	140	110
20x25	6.3	5.3	12000	53	5.33	3.5	3.5	4.5	5.5	20.2	24.8	135	105
22x26	6.3	5.3	9000	66	6.00	3.5	3.5	4.5	5.5	22.2	25.8	135	115
24x28	6.3	5.3	8400	73	6.13	3.5	3.5	4.5	5.5	24.2	27.8	130	110
25x30	6.3	5.3	10000	72	5.77	3.5	3.5	4.5	5.5	25.2	29.8	115	95
28x32	6.3	5.3	7500	88	6.33	3.5	3.5	4.5	5.5	28.2	31.8	115	100
30x35	6.3	5.3	8600	91	6.08	3.5	3.5	4.5	5.5	30.2	34.8	100	85
32x36	6.3	5.3	7900	131	8.24	3.5	3.5	4.5	5.5	32.2	35.8	130	115
35x40	7.0	6.0	10000	171	9.77	3.5	3.5	4.5	5.5	35.2	39.8	125	110
36x42	7.0	6.0	11700	169	9.39	3.5	3.5	4.5	5.5	36.2	41.8	115	100
38x44	7.0	6.0	11000	181	5.55	3.5	3.5	4.5	5.5	38.2	43.8	110	95
40x45	8.0	6.6	13900	231	11.57	3.5	4.5	5.5	6.5	40.2	44.8	115	105
42x48	8.0	6.6	15550	235	11.22	3.5	4.5	5.5	6.5	42.2	47.8	110	95
45x52	10.0	8.6	28300	353	15.71	3.5	4.5	5.5	6.5	45.2	51.8	105	95
48x55	10.0	8.6	24700	572	23.84	3.5	4.5	5.5	6.5	48.2	54.8	155	135
50x57	10.0	8.6	23600	602	24.08	3.5	4.5	5.5	6.5	50.2	56.8	150	130
55x62	10.0	8.6	21700	670	24.35	3.5	4.5	5.5	6.5	55.2	61.8	140	125
56x64	12.0	10.4	29500	790	28.20	3.5	4.5	5.5	7.0	56.2	63.8	130	115
60x68	12.0	10.4	27500	860	28.60	3.5	4.5	5.5	7.0	60.2	67.8	125	110
63x71	12.0	10.4	26500	910	28.80	3.5	4.5	5.5	7.0	63.2	70.8	120	105
65x73	12.0	10.4	25500	950	29.20	3.5	4.5	5.5	7.0	65.2	72.8	115	100
70x79	14.0	12.2	31000	1380	39.40	3.5	5.0	6.5	7.5	70.3	78.7	125	110
71x80	14.0	12.2	31000	1400	39.40	3.5	5.0	6.5	7.5	71.3	79.7	120	110
75x84	14.0	12.2	34700	1450	38.60	3.5	5.0	6.5	7.5	75.3	83.7	115	100
80x91	17.0	15.0	48000	2200	55.00	4.0	6.0	6.5	8.0	80.3	90.7	125	105
85x96	17.0	15.0	45500	2400	56.40	4.0	6.0	6.5	8.0	85.3	95.7	120	105
90x101	17.0	15.0	43500	2730	60.50	4.0	6.0	6.5	8.0	90.3	100.7	120	105
95x106	17.0	15.0	41300	3050	64.20	4.0	6.0	6.5	8.0	95.3	105.7	120	110
100x114	21.0	18.7	61000	4200	84.00	5.0	6.0	7.0	9.0	100.3	113.7	120	105
110x124	21.0	18.7	66000	5150	93.60	5.1	6.0	7.0	9.0	110.3	123.7	120	105
120x134	21.0	18.7	60300	6050	100.80	5.0	6.0	7.0	9.0	120.2	133.7	120	105
130x148	28.0	25.3	96300	9600	147.60	5.0	7.0	9.0	11.0	130.4	147.6	120	105
140x158	28.0	25.3	89000	11000	158.50	6.0	7.0	9.0	11.0	140.4	157.6	120	105
150x168	28.0	25.3	85000	12900	172.00	6.0	7.0	8.0	11.0	150.4	167.6	120	105
160x178	28.0	25.3	78600	14600	182.50	6.0	7.0	9.0	11.0	160.4	177.6	120	110
170x191	33.8	30.0	117400	19500	229.00	7.0	9.0	10.0	12.0	170.5	190.5	120	105



BIBUS
SUPPORTING YOUR SUCCESS

BIBUS SK, s.r.o. □
Priemyselná 4 □
949 01 Nitra □
tel.: 037/741 2525-26 □
fax: 037/651 6701 □
http://www.bibus.sk □
e-mail: sale@bibus.sk □

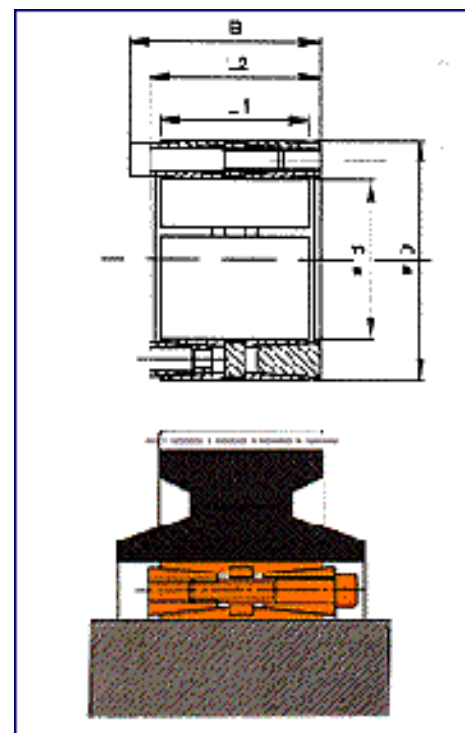
180x201	33.0	30.0	111300	21300	236.00	7.0	9.0	10.0	12.0	180.5	200.5	120	105
190x211	33.0	30.0	105000	24200	255.00	7.0	9.0	10.0	12.0	190.5	210.5	120	110
200x224	38.0	34.8	134200	31000	310.00	7.0	8.0	11.0	13.0	200.6	223.4	120	105
210x234	38.0	34.8	127200	35000	333.00	7.0	9.0	11.0	13.0	210.6	233.4	120	110
220x244	38.0	34.8	122100	38000	345.00	7.0	9.0	11.0	13.0	220.6	243.4	120	110
230x257	43.0	39.5	164500	47000	408.00	7.0	10.0	12.0	14.0	230.6	256.4	120	105
240x267	43.0	39.5	157400	51000	425.00	7.0	10.0	12.0	14.0	240.6	266.4	120	110
250x280	48.0	44.0	190000	52000	415.00	7.0	10.0	13.0	16.0	250.8	279.2	100	89
260x290	48.0	44.0	182000	56500	435.00	7.0	10.0	13.0	16.0	260.8	289.2	100	89
270x300	48.0	44.8	177000	61000	450.00	7.0	10.0	13.0	16.0	270.8	299.2	100	89
280x313	53.0	49.0	206000	72500	520.00	7.0	11.0	14.0	17.0	280.8	312.2	100	89
290x323	53.0	49.0	222000	77500	535.00	7.0	11.0	14.0	17.0	290.8	322.2	100	89
300x333	53.0	49.0	214000	83000	555.00	7.0	11.0	14.0	17.0	300.8	332.2	100	89
320x360	65.0	59.0	292000	114000	710.00	10.0	15.0	20.0	25.0	321.0	359.0	100	89
340x380	65.0	59.0	272000	128500	755.00	10.0	15.0	20.0	25.0	341.0	379.0	100	89
360x400	65.0	59.0	258000	144000	800.00	10.0	15.0	20.0	25.0	361.0	399.0	100	90
380x420	65.0	59.0	269000	160500	845.00	10.0	15.0	20.0	25.0	381.0	419.0	100	90
400x440	65.0	59.0	256000	178000	890.00	10.0	15.0	20.0	25.0	401.0	439.0	100	90
420x460	65.0	59.0	244000	196000	935.00	10.0	15.0	20.0	25.0	421.0	459.0	100	90
440x480	65.0	59.0	234000	215000	980.00	10.0	15.0	20.0	25.0	441.0	479.0	100	90
460x500	65.0	59.0	224000	235000	1020.00	10.0	15.0	20.0	25.0	461.0	499.0	100	91
480x520	65.0	59.0	239000	256000	1070.00	10.0	15.0	20.0	25.0	481.0	519.0	100	91
500x540	65.0	59.0	229000	278000	1110.00	10.0	15.0	20.0	25.0	501.0	539.0	100	91
520x570	80.0	73.0	338000	372000	1430.00	12.0	18.0	24.0	30.0	521.0	569.0	100	91
540x590	80.0	73.0	326000	400000	1480.00	12.0	18.0	24.0	30.0	541.0	589.0	100	91



zverné hriadelové spojenia TLK 400 Samostrediacie (patentované)



dxD	L1	L2	B	Upínacie šraubý		Krútiaci moment	Axiálna sila	Tlaky na	
				Pocet DIN 912 12.9	Utahovací moment			hriadel	náboj
mm	mm	mm	mm	NxTyp	Nm	Nm	KN	N/mm ²	N/mm ²
45x75	56	64	72	8xM8	41	3460	155	165	100
48x80	56	64	72	8xM8	41	3680	155	150	95
50x80	56	64	72	8xM8	41	3820	155	147	95
55x85	56	64	72	8xM8	41	4260	155	135	85
60x90	56	64	72	10xM8	41	5820	190	155	100
65x95	56	64	72	10xM8	41	6270	190	140	95
70x110	70	78	88	10xM10	83	10730	305	170	105
75x115	70	78	88	10xM10	83	11540	305	155	100
80x120	70	78	88	12xM10	83	14700	369	175	115
85x125	70	78	88	12xM10	83	15700	369	165	110
90x130	70	78	88	12xM10	83	16610	370	157	106
95x135	70	78	88	12xM10	83	17530	370	150	102
100x145	90	100	112	12xM12	145	26900	538	160	110
110x155	90	100	112	12xM12	145	29530	538	143	102
120x165	90	100	112	14xM12	145	37610	628	154	112
130x180	104	116	130	12xM14	230	48000	738	143	106
140x190	104	116	130	14xM14	230	60290	861	160	117
150x200	104	116	130	16xM14	230	73800	985	165	125
160x210	104	116	130	16xM14	230	78770	983	155	118
170x225	134	146	162	14xM16	355	101730	1197	140	108
180x235	134	146	162	16xM16	355	123200	1369	150	115
190x250	134	146	162	16xM16	355	129880	1368	141	110
200x260	134	146	162	16xM16	355	136840	1368	137	104
220x285	134	146	162	20xM16	355	188000	1710	155	120
240x305	134	146	162	22xM16	355	225000	1880	155	120
260x325	134	146	162	22xM16	355	244000	1880	155	115
280x355	165	177	197	20xM20	690	373000	2670	145	120
300x375	165	177	197	22xM20	690	440000	2930	155	125
320x405	165	177	197	22xM20	690	470000	2930	145	115
340x425	165	177	197	24xM20	690	544000	3200	150	120
360x455	190	202	224	22xM22	930	658000	3650	140	110
380x475	190	202	224	26xM22	930	821000	4320	160	130
400x495	190	202	224	26xM22	930	864000	4320	150	120



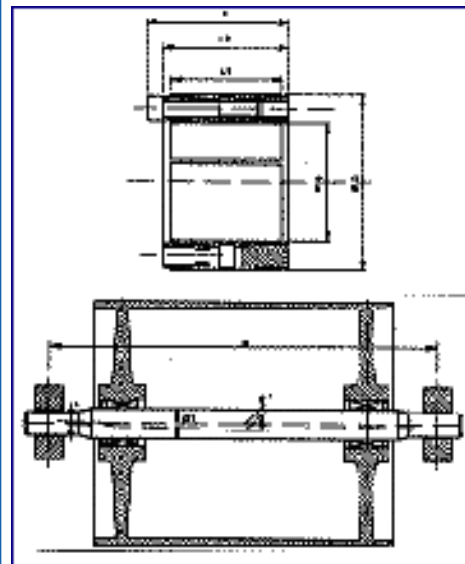
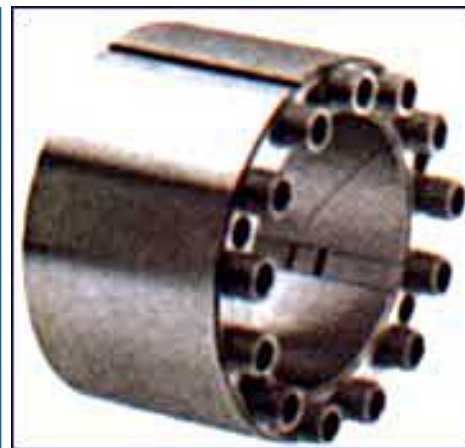
BIBUS
SUPPORTING YOUR SUCCESS

BIBUS SK, s.r.o.
Priemyselná 4
949 01 Nitra
tel.: 037/741 2525-26
fax: 037/651 6701
http://www.bibus.sk
e-mail: sale@bibus.sk

zverné hriadelové spojenia TLK 401 Samostrediacie (patentované)



					Tlaky na		Upínacie šraubí		
				Krútiaci moment	Axiálna sila	hriadel	náboj	Pocet DIN 912 12.9	Utahovací moment
dxD	L1	L2	B	Mt	Fa	pw	pn		Ms
mm	mm	mm	mm	Nm	KN	N/mm ²	N/mm ²	NxTyp	Nm
70x110	50	58	68	5100	145	112	71	8xM10	49
75x115	50	58	68	5420	145	103	68	8xM10	49
80x120	50	58	68	5820	145	97	65	8xM10	49
85x125	50	58	68	7700	182	114	77	10xM10	49
90x130	50	58	68	8100	182	107	74	10xM10	49
95x135	50	58	68	8600	182	102	72	10xM10	49
100x154	60	70	80	9100	182	80	55	10xM10	49
110x155	60	70	80	10000	182	75	52	10xM10	49
120x165	60	70	80	13100	218	80	59	12xM10	49
130x180	68	80	92	20700	319	95	69	12xM12	86
140x190	68	80	92	22300	319	89	66	12xM12	86
150x200	68	80	92	23900	319	83	62	12xM12	86
160x210	68	80	92	29800	372	90	69	14xM12	86
170x225	75	87	99	36200	426	89	67	16xM12	86
180x235	75	87	99	38300	426	84	64	16xM12	86
190x250	88	100	112	45500	479	76	58	18xM12	86
200x260	88	100	112	47900	479	72	56	18xM12	86
220x285	98	100	124	56200	511	63	49	14xM14	135
240x305	98	110	124	78800	657	74	58	18xM14	135
260x225	98	110	124	94900	730	76	61	20xM14	135
280x355	120	132	148	142000	1015	80	63	20xM16	210
300x375	120	132	148	182000	1218	89	72	24xM16	210
320x405	135	147	163	194000	1218	75	60	24xM16	210
340x425	135	147	163	207000	1218	71	57	24xM16	210



BIBUS
SUPPORTING YOUR SUCCESS

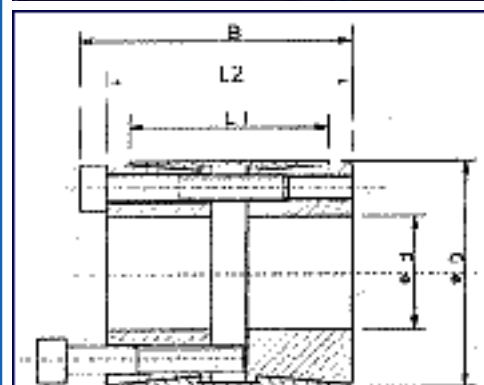
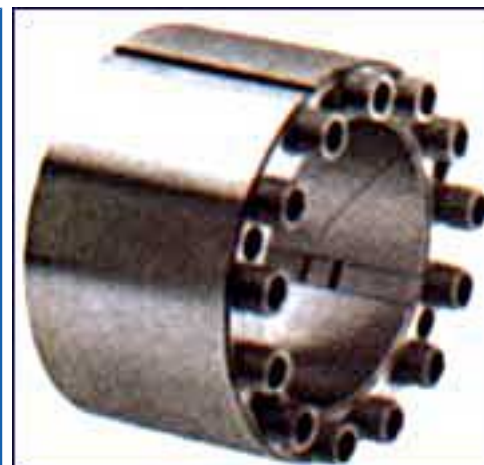
BIBUS SK, s.r.o.
Priemyselná 4
949 01 Nitra
tel.: 037/741 2525-26
fax: 037/651 6701
http://www.bibus.sk
e-mail: sale@bibus.sk



zverné hriadelové spojenia TLK 450 Samostrediace



dxD	L1	L2	B	Upínacie šraubý		Krútiaci moment	Axiálna sila	Tlaky na	
				Pocet DIN 912 12,9	Utahovací moment			hriadel	náboj
mm	mm	mm	mm	NxTyp	Nm	Nm	KN	N/mm ²	N/mm ²
25x50	39	45	51	8xM6	17	950	76	245	122
28x55	39	45	51	8xM6	17	1070	76	219	111
30x55	39	45	51	8xM6	17	1150	76	204	111
35x60	39	45	51	8xM6	17	1340	76	175	102
38x65	39	45	51	8xM6	17	1450	76	161	94
40x65	39	45	51	8xM6	17	1530	76	153	94
42x75	56	64	72	8xM8	41	2970	141	188	105
45x75	56	64	72	8xM8	41	3150	141	175	105
48x80	56	64	72	8xM8	41	4000	166	164	98
50x80	56	64	72	8xM8	41	4150	166	158	98
55x85	56	64	72	8xM8	41	4550	166	143	93
60x90	56	64	72	10xM8	41	6200	207	164	109
65x95	56	64	72	10xM8	41	6750	207	152	104
70x110	70	78	88	10xM10	83	11550	330	179	114
75x115	70	78	88	10xM10	83	12350	330	167	109
80x120	70	78	88	12xM10	83	15800	396	188	125
85x125	70	78	88	12xM10	83	16800	396	177	120
90x130	70	78	88	12xM10	83	17800	396	167	115
95x135	70	78	88	12xM10	83	18800	396	158	111
100x145	90	100	112	12xM12	145	28800	576	170	117
110x155	90	100	112	12xM12	145	31700	576	155	110
120x165	90	100	112	14xM12	145	40300	673	165	120
130x180	104	116	130	12xM14	230	51400	791	155	112
140x190	104	116	130	14xM14	230	64600	923	168	124
150x200	104	116	130	16xM14	230	79100	1055	179	135
160x210	104	116	130	16xM14	230	84400	1055	168	128
170x225	134	146	162	14xM16	355	109000	1283	149	113
180x235	134	146	162	16xM16	355	132000	1466	161	124
190x250	134	146	162	16xM16	355	139000	1466	153	116
200x260	134	146	162	16xM16	355	146500	1466	145	112



BIBUS
SUPPORTING YOUR SUCCESS

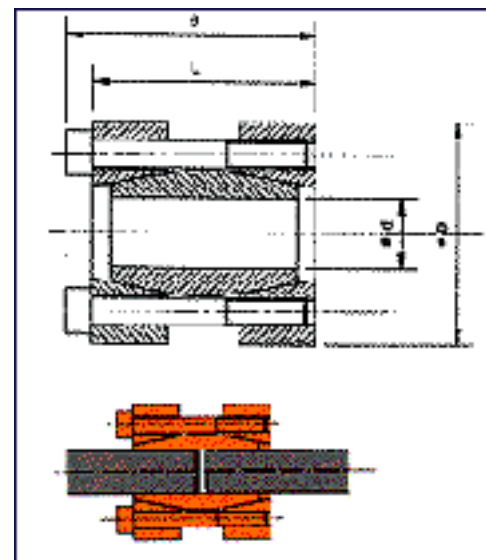
BIBUS SK, s.r.o.
Priemyselná 4
949 01 Nitra
tel.: 037/741 2525-26
fax: 037/651 6701
http://www.bibus.sk
e-mail: sale@bibus.sk



pevná spojka TLK 500



dxD	L	B	Krútiaci moment M t	Axiálna sila Fa	Upínacie šrauby	
					Pocet DIN 912 12.9	Utahovací moment Ms
mm	mm	mm	Nm	KN	NxTyp	Nm
17x50	50	56	200	24	4xM6	17
18x50	50	56	220	24	4xM6	17
19x50	50	56	230	24	4xM6	17
20x50	50	56	240	24	4xM6	17
22x55	60	66	260	24	4xM6	17
24x55	60	66	290	24	4xM6	17
25x55	60	66	450	36	6xM6	17
28x60	60	66	510	36	6xM6	17
30x60	60	66	550	36	6xM6	17
32x75	60	68	720	45	4xM8	41
35x75	75	83	790	45	4xM8	41
38x75	75	83	850	45	4xM8	41
40x75	75	83	900	45	4xM8	41
42x90	75	83	1400	67	6xM8	41
45x90	85	93	1520	67	6xM8	41
48x90	85	93	1620	67	6xM8	41
50x90	85	93	1690	67	6xM8	41
55x105	85	93	2470	90	8xM8	41
60x105	85	93	2710	90	8xM8	41
65x105	85	93	2930	90	8xM8	41
70x125	100	110	3770	107	6xM10	83
75x125	100	110	4030	107	6xM10	83
80x125	100	110	4300	107	6xM10	83



BIBUS
SUPPORTING YOUR SUCCESS

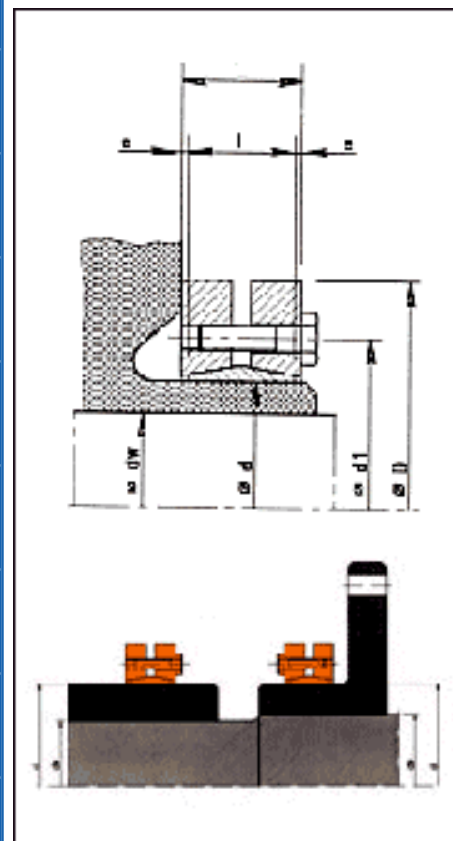
BIBUS SK, s.r.o.
 Priemyselná 4
 949 01 Nitra
 tel.: 037/741 2525-26
 fax: 037/651 6701
<http://www.bibus.sk>
 e-mail: sale@bibus.sk



zverné hriadelové spojenia TLK 603



Typ	Priemer hriadela	Krútiaci moment	Axiálna sila	Rozmery					Upínacie šrauby DIN 913-10.9	Utahovací moment	Kontaktné napätie
				D	I	L	d1	e			
d	dw	Mt	Fa							Ms	pw
mm	mm	Nm	KN	mm	mm	mm	mm	mm	NxTyp	Nm	N/mm ²
14	11 12	30 50	6 9	38	7	11.0	23	2.00	4xM5	4	186
16	13 14	70 90	10 13	41	11	15.0	26	2.00	5xM5	4	130
24	19 20 21	170 210 250	25 27 29	50	14	19.5	36	2.75	6xM5	4	286
30	24 25 26	300 340 380	29 31 33	60	16	21.5	44	2.75	7xM5	4	233
36	28 30 31	440 570 630	50 58 58	72	18	23.5	52	2.75	5xM6	12	307
44	32 35 36	620 780 860	64 74 77	80	20	25.5	61	2.75	7xM6	12	317
50	38 40 42	940 1160 1380	79 86 92	90	22	27.5	70	2.75	8xM6	12	289
55	42 45 48	1160 1520 1880	79 88 97	100	23	30.5	75	3.75	8xM6	12	252
62	48 50 52	1850 2200 2400	100 111 117	110	23	30.5	86	3.75	10xM6	12	279
68	50 55 60	2000 2500 3150	97 106 120	115	23	30.5	86	3.75	10xM6	12	255
75	55 60 65	2500 3200 3950	119 137 155	138	25	32.5	100	3.75	7xM8	30	273
80	60 65 70	3200 3900 4600	124 140 158	145	25	32.5	100	3.75	7xM8	30	256
85	65 70 75	4800 6100 7400	175 195 216	155	30	39.0	114	4.50	10xM8	30	285
90	65 70 75	4750 6000 7250	170 190 210	155	30	39.0	114	4.50	10xM8	30	271
100	70 75 80	6900 7500 9000	195 220 240	170	34	44.0	124	5.00	12xM8	30	258



BIBUS
SUPPORTING YOUR SUCCESS

BIBUS SK, s.r.o.
Priemyselná 4
949 01 Nitra
tel.: 037/741 2525-26
fax: 037/651 6701
http://www.bibus.sk
e-mail: sale@bibus.sk

110	75 80 85	7200 9000 10800	229 252 262	185	39	50.0	136	5.50	9xM10	59	244
115	80 85 90	7400 9200 11100	235 259 269	188	39	50.0	141	5.50	9xM10	59	234
120	80 85 90	10600 13300 14500	285 314 340	215	42	54.0	160	6.00	12xM10	59	277
125	85 90 95	11000 13000 15000	296 324 352	215	42	54.0	160	6.00	12xM10	59	266
130	90 95 100	11300 13300 15400	304 333 362	215	42	54.0	160	6.00	12xM10	59	255
140	95 100 105	15100 17600 20100	367 396 425	230	46	60.5	175	7.25	10xM12	100	264
155	105 110 115	22000 25000 28000	447 478 509	265	50	64.5	192	7.25	12xM12	100	263
160	110 115 120	22600 25700 28800	460 490 520	265	50	64.5	192	7.25	12xM12	100	254
165	115 120 125	21000 35000 39000	595 630 655	290	56	71.0	210	7.50	8xM16	250	277
170	120 125 130	31900 36000 40100	610 640 670	290	56	71	210	7.5	8xM16	250	268
175	125 130 135	36000 41000 45000	605 639 675	300	56	71	220	7.5	8xM16	250	261
180	130 135 140	37000 42200 46300	800 840 885	300	56	71	220	7.5	8xM16	250	253
185	135 140 145	52000 57000 62000	778 819 861	330	71	86	236	7.5	10xM16	250	244
190	140 145 150	53500 58700 63800	800 840 885	330	71	86	236	7.5	10xM16	250	237
195	140 150 155	65000 76000 81500	933 1025 1071	350	71	86	246	7.5	12xM16	250	277
200	150 155 160	74000 80000 86000	990 1035 1080	350	71	86	246	7.5	12xM16	250	270
220	160 165 170	95000 102000 110000	1190 1239 1290	370	88	104	270	8.0	15xM16	250	248
240	170 180 190	120000 138000 156000	1464 1576 1675	405	92	109	295	8.5	12xM20	490	272
260	190 200 210	164000 184000 205000	1760 1880 2010	430	103	120	321	8.5	14xM20	490	262
280	210 220 230	217000 244000 270000	2090 2220 2350	460	114	134	346	10.0	16xM20	490	251
300	230 240 245	275000 295000 315000	2431 2567 2636	485	122	142	364	10.0	18xM20	490	246

320	240 250 260	312000 340000 374000	2647 2786 2900	520	122	142	386	10.0	20xM20	490	257
340	250 260 270	390000 422500 460000	3119 3249 3400	570	134	156	408	11.0	24xM20	490	264
350	270 280 285	442000 480000 500000	3276 3430 3500	580	140	162	432	11.0	24xM20	490	245
360	280 290 295	463000 502000 522000	3310 3461 3536	590	140	162	432	11.0	24xM20	490	238
380	290 300 310	567000 610000 658000	3910 4080 4248	645	144	168	458	12.0	20xM24	840	263
390	300 310 320	624000 671000 718000	4160 4330 4484	660	144	168	468	12.0	21xM24	840	270
400	315 320 330	670000 695000 744000	4260 4345 4500	680	144	168	480	12.0	21xM24	840	263
420	330 340 350	780000 840000 900000	4850 5040 5220	690	164	188	504	12.0	24xM24	840	251
440	340 350 360	806000 860000 917000	4740 4910 5090	750	177	202	527	12.5	24xM24	840	223
460	360 370 380	1000000 1070000 1140000	5670 5860 6050	770	177	202	547	12.5	28xM24	840	248
480	380 390 400	1170000 1240000 1310000	6150 6350 6550	800	188	213	570	12.5	30xM24	840	240



BIBUS SK, s.r.o.
Priemyselná 4
949 01 Nitra
tel.: 037/741 2525-26
fax: 037/651 6701
http://www.bibus.sk
e-mail: sale@bibus.sk