

piCOMPACT10 Vacuum sensors/switches



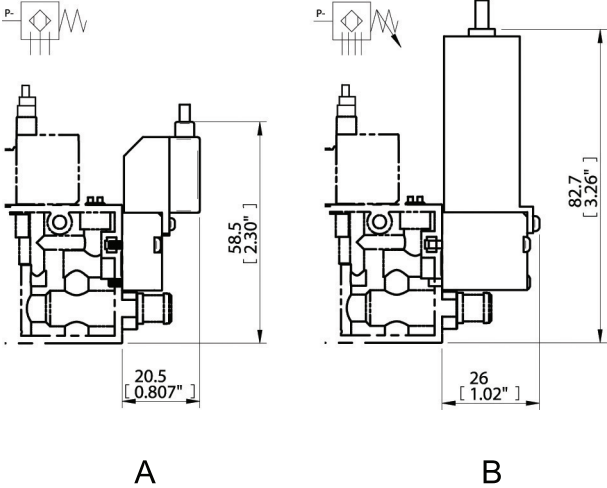
- ▶ Vacuum sensor/switch options for piCOMPACT10.
- ▶ Sensor with analog output 1-5 VDC.
- ▶ Digital switch with LED Display, PNP or NPN output + analog output (1-5 VDC).
- ▶ Easy to set vacuum level, hysteresis and change display units (bar, kPa, inHg, mmHg)
- ▶ 2m cable included, open ends.

Technical data

Description	Unit	Value	
		Vacuum sensor 1A Analog	Vacuum sensor/switch 1D, 2D Digital/ Analog
Vacuum range	-kPa	0-101	0-101
Overpressure, max.	MPa	0.5	0.5
Material		PC, Al	PC, Al
Temperature range	°C	0-50	0-50
Weight	g	32	57
Vacuum connection		M5 threaded female	M5 threaded female
Humidity	%RH	35-85	35-85
Safety classification		IP40	IP40
Voltage supply	VDC	10.8-30, Ripple (Vp-p) 10% max	10.8-30, Ripple (Vp-p) 10% max
Response time	ms	2	2
Dielectric strength, 1 min	VAC	100	100
Accuracy		±1% of F.S.	±2% of F.S.
Repeatability		-	±0.2% of F.S.
Analog output	VDC	1-5 (±0.1), linearity ±0.5% F.S. Output impedance 500 Ω	1-5 (±0.1), linearity ±0.5% F.S. Output impedance 500 Ω
Switch/digital output		-	PNP or NPN open collector Max 125mA (load current)
Display		-	3 1/2 digit 7 segment
Current consumption	mA	20 or less	60 or less
Vibration resistance	Hz	0-55, amplitude 1.5mm XYZ 2h	0-150, amplitude 1.5mm XYZ 2h

Ordering information, spare parts

	Description	Art. No.	Code
A	No display, analog output vacuum sensor	0125645	1A
B	Display, analog & digital output vacuum sensor PNP	0125648	1D
B	Display, analog & digital output vacuum sensor NPN	0125647	2D



Vacuum generators