

piCLASSIC Xi40-3 Energy Saving



- ▶ Integrated Energy Saving device, results in a large air-consumption reduction.
- ▶ Recommended for sealed or almost sealed applications.
- ▶ Patented COAX® technology inside – the most energy efficient ejector technology.
- ▶ The Xi cartridge offers high flow at deep vacuum levels to 95 -kPa.
- ▶ Available with 1 to 3 COAX® Xi40 three-stage cartridges.
- ▶ Low-weight, configurable and modular design.
- ▶ Easy disassembly for maintenance.

Technical data

Description	Unit	Value
Feed pressure, optimum	MPa	0.45
Feed pressure, max.	MPa	0.7
Max. vacuum	-kPa	95
Internal volume, vacuum chamber, 1-2 cartridges	cm ³	140
Internal volume, vacuum chamber, 3 cartridges	cm ³	246
Noise level at 40 -kPa & optimal feed pressure	dB(A)	64-69
Temperature range	°C	-10-60
Materials		PA, Al, SS, NBR (FKM), CuZn, POM
Hysteresis	kPa	12
Kv, Flow @ P1=0.6 MPa and Δp=0.1 Mpa	NI/s	7.8
Life span	cycles	>10,000,000

Technical data, specific

Weight	Value (g)
1-2 cartridges	600-630
3 cartridges	820
Silencer	120
Vacuum gauge	50

Vacuum flow at recommended feed pressure (0.45 MPa)

COAX® cartridge	Air consumption NI/s	Vacuum flow (NI/s) at different vacuum levels (-kPa)									
		0	10	20	30	40	50	60	70	80	90
Xi40-3 x1	1.83	5.9	3.0	2.0	1.3	0.73	0.58	0.43	0.32	0.18	0.03
Xi40-3 x2	3.66	11.8	6.0	4.0	2.6	1.46	1.16	0.86	0.64	0.36	0.06
Xi40-3 x3	5.49	17.7	9.0	6.0	3.9	2.19	1.74	1.29	0.96	0.54	0.09

Evacuation time at recommended feed pressure (0.45 MPa)

COAX® cartridge	Air consumption NI/s	Evacuation time (s/l) to reach different vacuum levels (-kPa)									
		10	20	30	40	50	60	70	80	90	
Xi40-3 x1	1.83	0.022	0.062	0.12	0.22	0.37	0.57	0.84	1.2	2.2	
Xi40-3 x2	3.66	0.011	0.031	0.06	0.11	0.19	0.29	0.42	0.6	1.1	
Xi40-3 x3	5.49	0.007	0.021	0.04	0.07	0.12	0.19	0.28	0.4	0.73	

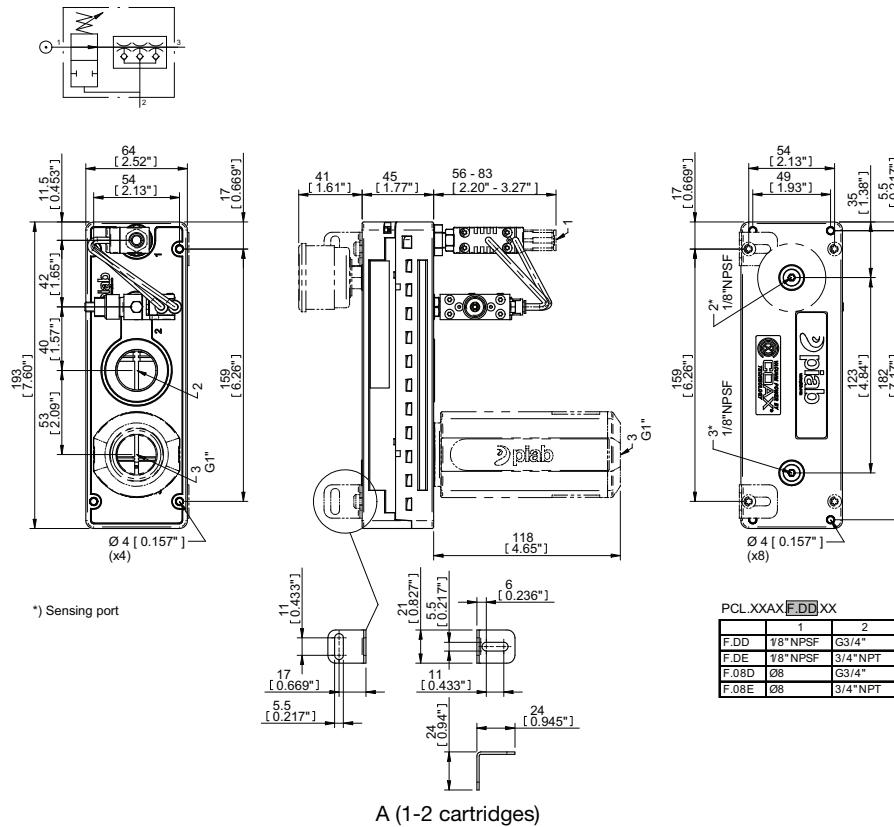
Ordering information

1. Housing		piCLASSIC Code
Housing		PCL
2a. COAX® cartridge modules		piCLASSIC Code
A	COAX® cartridge module Xi40-3x1	X1
A	COAX® cartridge module Xi40-3x2	X2
B	COAX® cartridge module Xi40-3x3	X3
2b. Valve Configuration		piCLASSIC Code
b	Non-return valve	A
2c. Sealing material		piCLASSIC Code
Nitrile		N
Viton		V
3. Function		piCLASSIC Code
Energy saving system (ES)		F
4a. Compressed air connection		piCLASSIC Code
1/8" NPSF (G) female		D
*Push-in 8 mm (5/32")-1/4" female		08
<i>*Compressed air push-in connector included separately.</i>		
4b. Vacuum connection		piCLASSIC Code
G3/4" female		D
3/4" NPT female		E
5. Accessory		piCLASSIC Code
None		X
Silencer G1" male		S
Vacuum gauge		V
Silencer G1" male & vacuum gauge		SV
Example		Ordering number
piCLASSIC Xi40-3x1, Non-return Valve, Nitrile Sealing, Energy saving Function, Connections Comp. Air 1/8" NPSF (G) female--Vacuum G3/4" female, Silencer G1" male & vacuum gauge		PCL.X1AN.F.DD.SV

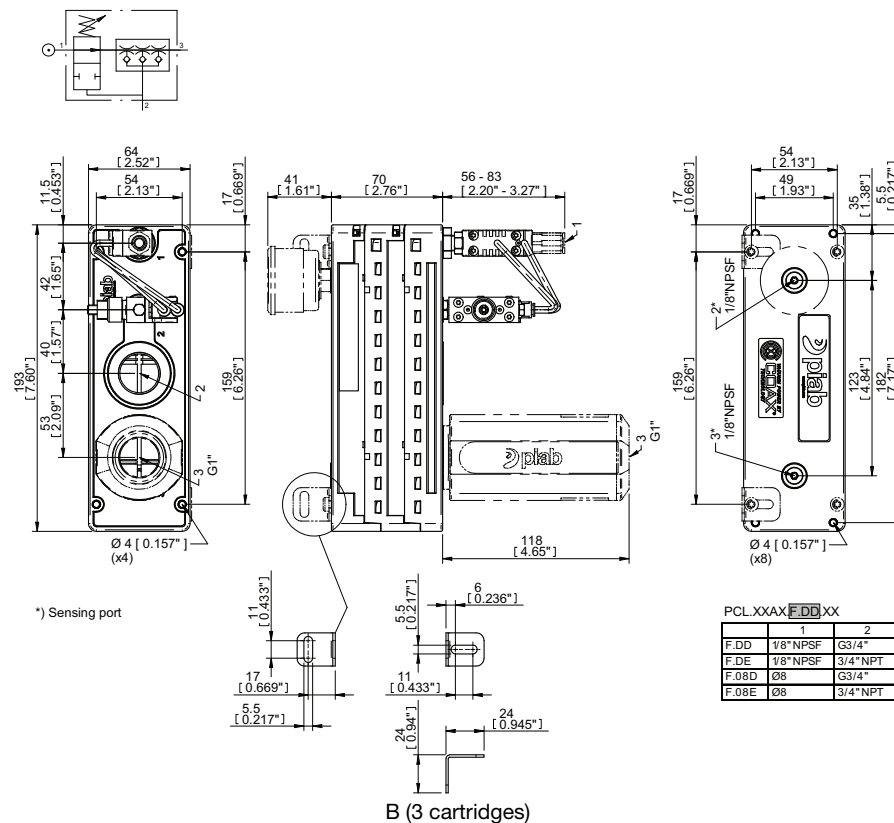
Vacuum pumps/generators Medium



Dimensional drawing for piCLASSIC Xi40-3 ES



A (1-2 cartridges)



B (3 cartridges)

Crossover Classic to piCLASSIC

Classic Art. No.	Classic Code No.	piCLASSIC Art. No.	piCLASSIC Code No.
0103092	M50B5-ADNAF	9904049	PCL.X2AN.F.08D.SV
0103265	M100B6-ADNAF	9904051	PCL.X3AN.F.08D.SV

Specifications subject to change without notice.

Medium