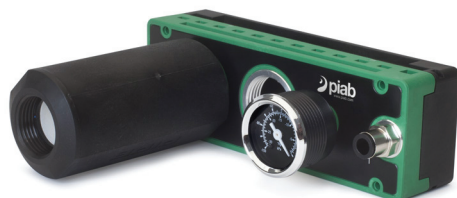


piCLASSIC Si32-3



- ▶ Patented COAX® technology inside – the most energy efficient ejector technology.
- ▶ The Si cartridge offers extra vacuum flow.
- ▶ Suitable for handling porous materials or if leakage is present.
- ▶ Large capacity range, available with 1 to 6 COAX® Si32 three-stage cartridges.
- ▶ Can be easily be upgraded with more capacity if needed.
- ▶ Low-weight, configurable and modular design.
- ▶ Easy disassembly for maintenance.

Technical data

Description	Unit	Value
Feed pressure, optimum	MPa	0.60
Feed pressure, max.	MPa	0.7
Max. vacuum	-kPa	75
Internal volume, vacuum chamber, 1-2 cartridges	cm ³	140
Internal volume, vacuum chamber, 3-4 cartridges	cm ³	246
Internal volume, vacuum chamber, 5-6 cartridges	cm ³	353
Noise level at 40 -kPa & optimal feed pressure	dBA	66-77
Temperature range	°C	-10-80
Materials		PA, Al, SS, NBR (FKM), CuZn

Technical data, specific

Weight	Value (g)
1-2 cartridges	500-550
3-4 cartridges	720-790
5-6 cartridges	795-875
Silencer	120
Vacuum gauge	50

Vacuum flow at recommended feed pressure (0.6 MPa)

COAX® cartridge	Air consumption NI/s	Vacuum flow (NI/s) at different vacuum levels (-kPa)							
		0	10	20	30	40	50	60	70
Si32-3 x1	1.75	6.00	3.50	2.60	1.70	0.90	0.60	0.50	0.35
Si32-3 x2	3.50	12.0	7.00	5.20	3.40	1.80	1.20	1.00	0.70
Si32-3 x3	5.25	18.0	10.5	7.80	5.10	2.70	1.80	1.50	1.10
Si32-3 x4	7.00	24.0	14.0	10.4	6.80	3.60	2.40	2.00	1.40
Si32-3 x5	8.75	25.5	15.8	12.4	8.50	4.50	3.00	2.50	2.10
Si32-3 x6	10.5	28.8	17.9	14.8	10.2	5.40	3.60	3.00	2.20

Evacuation time at recommended feed pressure (0.6 MPa)

COAX® cartridge	Air consumption NI/s	Evacuation time (s/l) to reach different vacuum levels (-kPa)						
		10	20	30	40	50	60	70
Si32-3 x1	1.75	0.02	0.05	0.10	0.18	0.33	0.53	0.80
Si32-3 x2	3.50	0.01	0.025	0.05	0.09	0.17	0.27	0.40
Si32-3 x3	5.25	0.007	0.017	0.033	0.06	0.11	0.18	0.27
Si32-3 x4	7.00	0.005	0.013	0.025	0.045	0.083	0.13	0.20
Si32-3 x5	8.75	0.004	0.01	0.02	0.036	0.066	0.11	0.16
Si32-3 x6	10.5	0.003	0.008	0.017	0.03	0.055	0.09	0.13

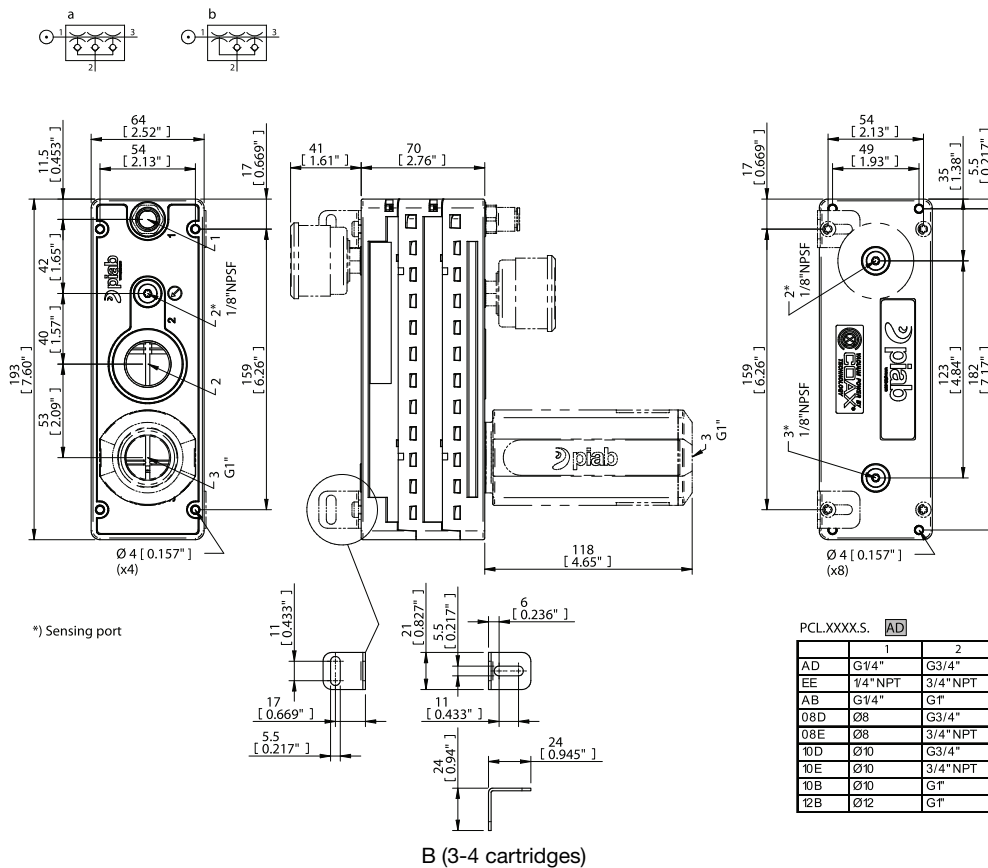
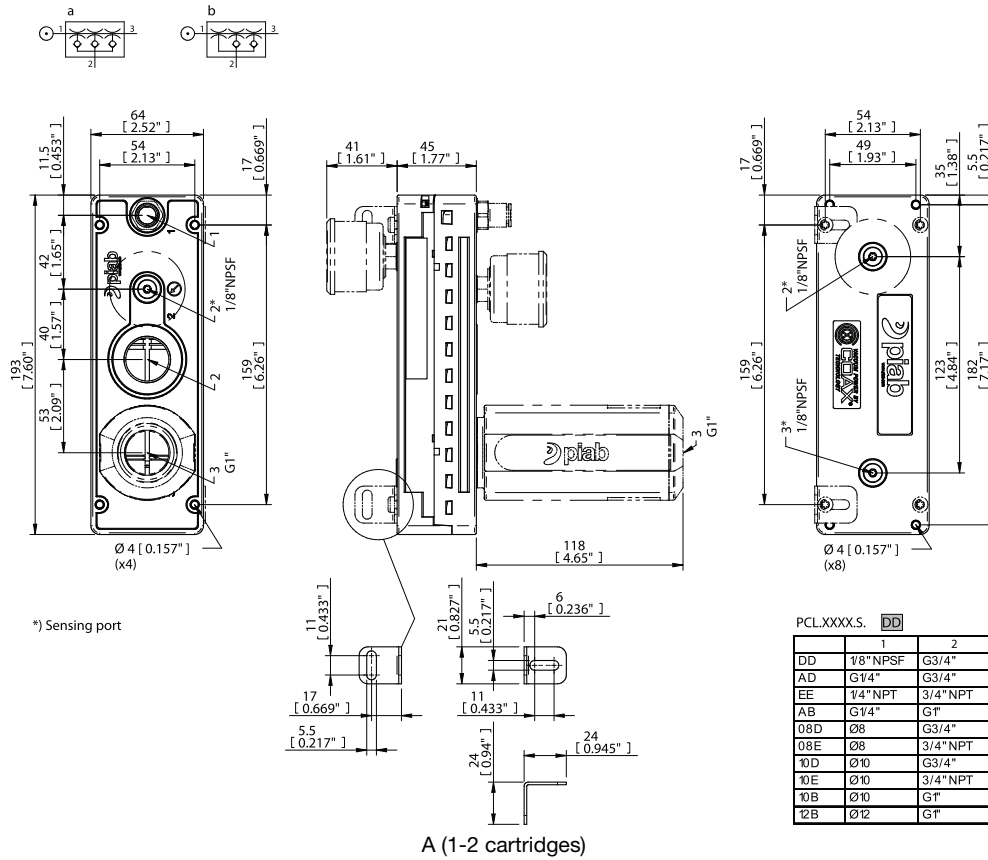
Ordering information

1. Housing		piCLASSIC Code
Housing		PCL
2a. COAX® cartridge modules		piCLASSIC Code
A	COAX® cartridge module Si32-3x1	S1
A	COAX® cartridge module Si32-3x2	S2
B	COAX® cartridge module Si32-3x3	S3
B	COAX® cartridge module Si32-3x4	S4
C	COAX® cartridge module Si32-3x5	S5
C	COAX® cartridge module Si32-3x6	S6
2b. Valve Configuration		piCLASSIC Code
a	Standard	B
b	Non-return valve	A
2c. Sealing material		piCLASSIC Code
Nitrile		N
Viton		V
3. Function		piCLASSIC Code
Standard		S
4a. Compressed air connection		piCLASSIC Code
G1/4" female		A
1/4" NPT female		E
1/8" NPSF (G) female		D
*Push-in 8 mm (5/32")-1/4" female		08
*Push-in 10 mm-1/4" female		10
*Push-in 12 mm-1/4" female		12
<i>*Compressed air push-in connector included separately.</i>		
4b. Vacuum connection		piCLASSIC Code
G3/4" female		D
3/4" NPT female		E
G1" female		B
5. Accessory		piCLASSIC Code
None		X
Silencer G1" male		S
Vacuum gauge		V
Silencer G1" male & vacuum gauge		SV
Example		Ordering number
piCLASSIC Si32-3x1, Standard Valve, Nitrile Sealing, Function Standard, Connections Comp. Air G1/4" female--Vacuum G3/4" female, Silencer G1" male & vacuum gauge		PCL.S1BN.S.AD.SV

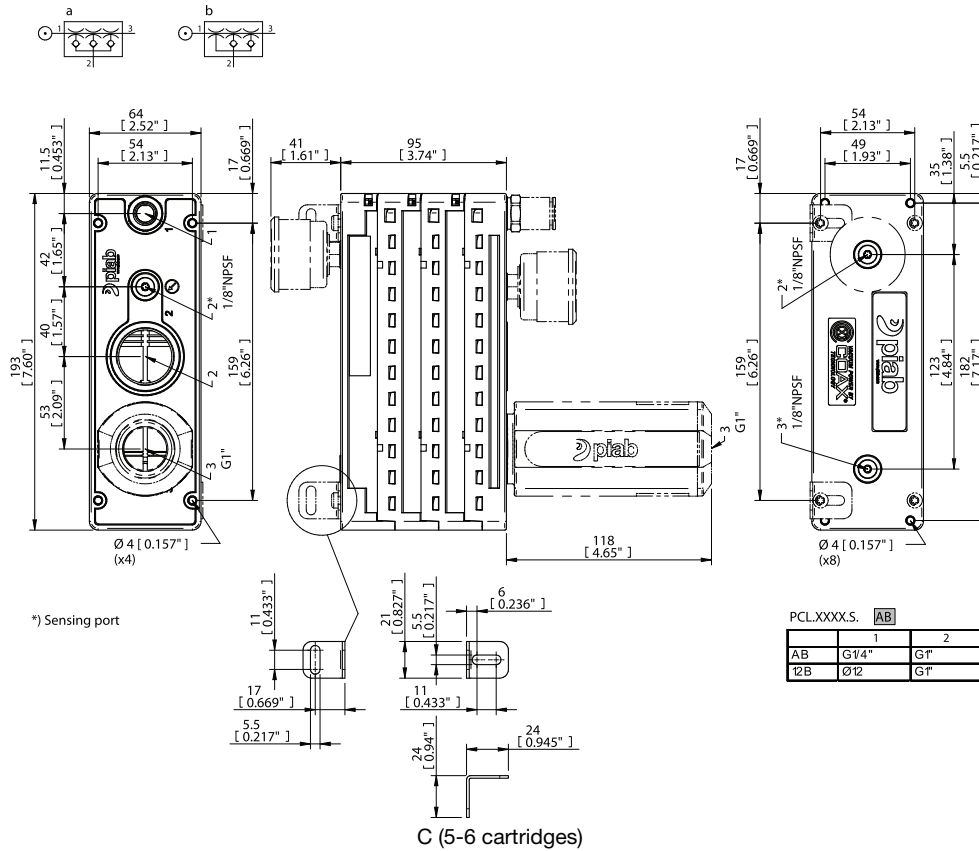
Vacuum pumps/generators Medium



Dimensional drawing for piCLASSIC Si32-3



Dimensional drawing for piCLASSIC Si32-3



Crossover Classic to piCLASSIC

Classic Art. No.	Classic Code No.	piCLASSIC Art. No.	piCLASSIC Code No.
0102117	L25B6ADN	9904047	PCL.S1BN.S.08D.SV
0102119	L50B6ADN	9904040	PCL.S2BN.S.08D.SV
0102121	L100B6ADN	9904043	PCL.S3BN.S.08D.SV
0102122	L100B6ADNA	9904052	PCL.S3AN.S.08D.SV
0102027	L50B6-DN	9904050	PCL.S2BN.S.DD.SV
0102401	L25B6-EN	9904048	PCL.S1BN.S.08E.SV
0102403	L50B6-EN	9904046	PCL.S2BN.S.08E.SV
0102405	L100B6-EN	9904045	PCL.S3BN.S.08E.SV