

piCLASSIC Pi48-3 Energy Saving



- ▶ Integrated Energy Saving device, results in a large air-consumption reduction.
- ▶ Recommended for sealed or almost sealed applications.
- ▶ Patented COAX® technology inside – the most energy efficient ejector technology.
- ▶ High performance reliability in cases of fluctuating or low compressed air pressure.
- ▶ Deep vacuum level achieved at very low feed pressure, 0.3 MPa.
- ▶ Available with 1 or 2 COAX® Pi48 three-stage cartridges.
- ▶ Low-weight, configurable and modular design.
- ▶ Easy disassembly for maintenance.

Technical data

Description	Unit	Value
Feed pressure, optimum	MPa	0.30
Feed pressure, max.	MPa	0.7
Max. vacuum	-kPa	90
Internal volume, vacuum chamber, 1-2 cartridges	cm ³	140
Noise level at 40 -kPa & optimal feed pressure	dB(A)	65-68
Temperature range	°C	-10-60
Materials		PA, Al, SS, NBR (FKM), CuZn, POM
Hysteresis	kPa	12
Kv, Flow @ P1=0.6 MPa and Δp=0.1 Mpa	NI/s	7.8
Life span	cycles	>10,000,000

Technical data, specific

Weight	Value (g)
1-2 cartridges	600-630
Silencer	120
Vacuum gauge	50

Vacuum flow at recommended feed pressure (0.30 MPa)

COAX® cartridge	Air consumption NI/s	Vacuum flow (NI/s) at different vacuum levels (-kPa)								
		0	10	20	30	40	50	60	70	80
Pi48-3 x1	2.0	5.6	2.5	1.8	1.1	0.65	0.50	0.35	0.25	0.10
Pi48-3 x2	4.0	11.2	5.0	3.6	2.2	1.3	1.0	0.70	0.50	0.20

Evacuation time at recommended feed pressure (0.30 MPa)

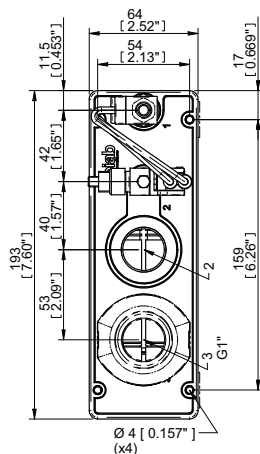
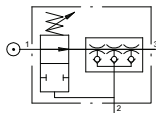
COAX® cartridge	Air consumption NI/s	Evacuation time (s/l) to reach different vacuum levels (-kPa)								
		10	20	30	40	50	60	70	80	90
Pi48-3 x1	2.0	0.020	0.060	0.12	0.25	0.45	0.70	1.0	1.6	4.0
Pi48-3 x2	4.0	0.010	0.030	0.06	0.13	0.23	0.35	0.50	0.80	2.0

Vacuum pumps/generators Medium

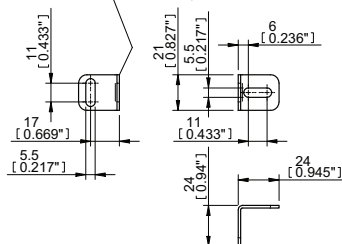
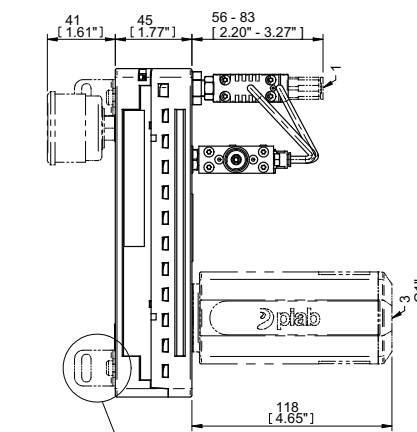


Ordering information

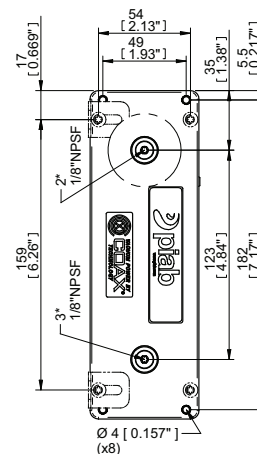
1. Housing		piCLASSIC Code
Housing		PCL
2a. COAX® cartridge modules		piCLASSIC Code
COAX® cartridge module Pi48-3x1		P1
COAX® cartridge module Pi48-3x2		P2
2b. Valve Configuration		piCLASSIC Code
b	Non-return valve	A
2c. Sealing material		piCLASSIC Code
Nitrile		N
Viton		V
3. Function		piCLASSIC Code
Energy saving system (ES)		F
4a. Compressed air connection		piCLASSIC Code
1/8" NPSF (G) female		D
*Push-in 8 mm (5/32")-1/4" female		08
*Compressed air push-in connector included separately.		
4b. Vacuum connection		piCLASSIC Code
G3/4" female		D
3/4" NPT female		E
5. Accessory		piCLASSIC Code
None		X
Silencer G1" male		S
Vacuum gauge		V
Silencer G1" male & vacuum gauge		SV
Example		Ordering number
piCLASSIC Pi48-3x1, Non-return Valve, Nitrile Sealing, Energy saving Function, Connections Comp. Air 1/8" NPSF (G) female--Vacuum G3/4" female, Silencer G1" male & vacuum gauge		PCL.P1AN.F.DD.SV



*) Sensing port



A (1-2 cartridges)



PCL.XXAX.FDD.XX

	FDD	XX
F.DD	1/8" NPSF	G3/4"
F.DE	1/8" NPSF	3/4" NPT
F.08D	Ø8	G3/4"
F.08E	Ø8	3/4" NPT