

### Tank top return-line filter

Pi 530

Nominal size 35 and 50

#### 1. Features

##### Efficient filters for modern hydraulic systems

- Modular design
- Compact design
- Minimal pressure loss
- Optical/electrical/electronic contamination control
- PA 6-housing with hose connection
- Optional AI-filterhead with threaded port
- Replaceable air breather element

##### Quality filters, easy to service

- Equipped with metal-free, waste disposable free Mic-elements or highly efficient Smx filter elements
- $\beta$ -valued elements per ISO 4572
- Large dirt holding capacity and high differential pressure stability providing optimal element service life

##### Worldwide distribution



## 2. Filter performance data

measured according to ISO 16 889 (multipass test)

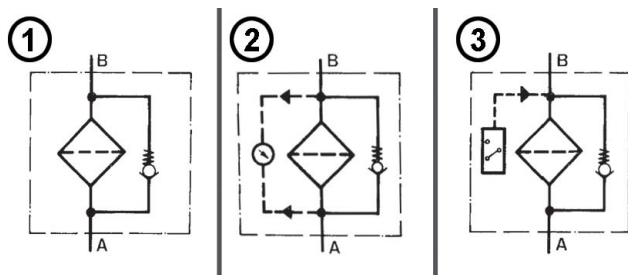
Sm-x-elements

with  $\Delta p$  10 bar

Sm-x	3	$\beta_{3(C)}$	$\geq 75$
Sm-x	10	$\beta_{10(C)}$	$\geq 75$
Sm-x	25	$\beta_{25(C)}$	$\geq 75$

up to 5 bar final differential pressure

## 3. Symbols



## 4. Order numbers

Example for ordering filters:

1. Housing design	2. Filter element
Housing NG 35 with hose connection, with bypass valve, breather, pressure gauge Type number: Pi 53003/1-141	Mic 10 Type number: 852 939 Mic 10

4.1 Housing design							
Nominal size NG	Type	Execution filterhead	① with bypass valve 1.5 bar	with breather element (Mic)	② with pressure gauge	③ with pressure switch normally closed	③ with pressure switch normally open
35	Pi 53003/1-009	filterhead PA 6 with hose-connection DN 20					
	Pi 53003/1-020						
	Pi 53003/1-144						
	Pi 53003/1-145						
	Pi 53003/1-146						
	Pi 53003/1-141						
	Pi 53003/1-142						
	Pi 53003/1-143						
	Pi 53003/2-009		AI-filterhead G ½				
	Pi 53003/2-020						
50	Pi 53005/1-009	filterhead PA 6 with hose-connection DN 20					
	Pi 53005/1-020						
	Pi 53005/1-044						
	Pi 53005/1-145						
	Pi 53005/1-146						
	Pi 53005/1-141						
	Pi 53005/1-142						
	Pi 53005/1-143						
	Pi 53005/2-009		AI-filterhead G ½				
	Pi 53005/2-020						

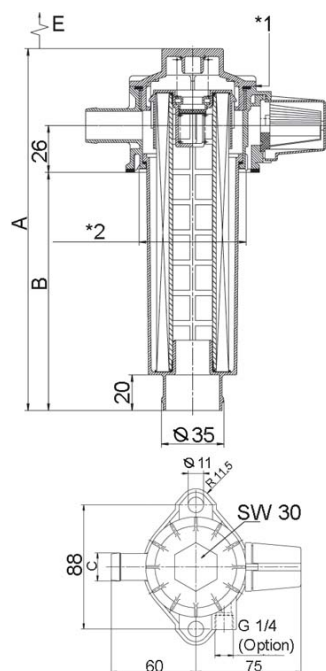
\* further elements on request.

4.2 Filter elements					
Nominal size NG	Order number	Type	Filter material	Collapse pressure [bar]	Filter surface [cm²]
35	78309387	852939	Mic 10	5	920
	79312117	852588	Sm-x 3	10	650
	79312125	852588	Sm-x 10		
	79312133	852588	Sm-x 25		
50	78309395	852940	Mic 10	5	1135
	79312158	852945	Sm-x 3	10	810
	79312166	852945	Sm-x 10		
	79312174	852945	Sm-x 25		

4.3 Breather element (only for filterhead PA 6)				
Nominal size NG	Order number	Type	Filter material	Filter surface [cm²]
35 50	78206831	852937	Mic	40

## 5. Specifications

Design:	tank mounting filter
Nominal pressure:	6 bar
Test pressure:	9 bar
Temperature range:	- 30 °C to + 80 °C (other temperature ranges on request)
Bypass opening pressure:	$\Delta p$ 1.5 bar
Filter head material:	plastic-PA 6/Al
Filter bowl material:	plastic PA6
Filter cover material:	plastic PA6
Indication range of pressure gauge:	0 to 4 bar
Activating pressure of pressure switch:	1.2 bar
Electrical specification of pressure switch:	
Maximum voltage:	42 V
Maximum current on contact:	2 A
Maximum contact load:	100 VA
Type of protection:	IP 65 - with protection cap
Contact type:	bistable
Electrical connection:	AMP 6,3 DIN 46248 connector according to DIN 46247, connectin method 2-pole



\*1 Execution with filterhead PA 6

\*2 Mounting hole  $\varnothing$  60

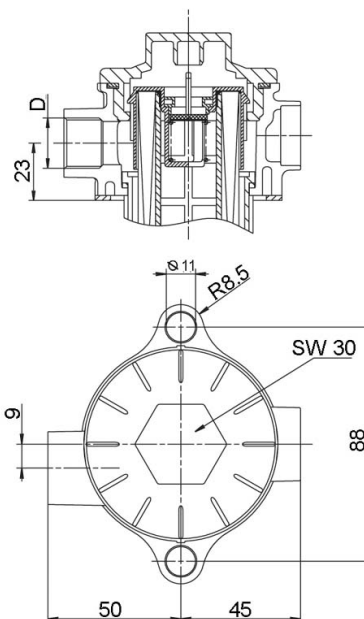
For further information please see our leaflet contamination indicators!

Filters compatible with standard mineral oils.

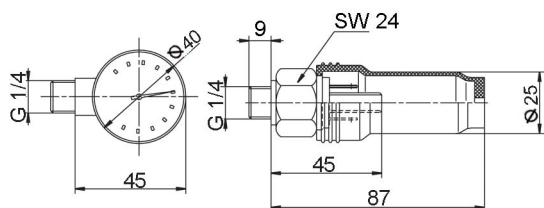
Please contact us in case of using other media.

## 6. Dimensions

Type	Dimension A	Dimension B	Dimension C	Dimension D	Dimension E
Pi 53003/1	203	133.5	DN 20	--	130
Pi 53003/2	203	135	--	G 1/2	130
Pi 53005/1	241	171.5	DN 20	--	180
Pi 53005/2	241	173	--	G 1/2	180



Execution with filterhead Al





# MAHLE

*Industrial Filtration*

MAHLE Filtersysteme GmbH  
Industriefiltration  
Schleifbachweg 45  
D-74613 Öhringen  
Phone +49 (0) 7941/67-0  
Fax +49 (0) 7941/67-23429  
industriefiltration@mahle.com  
www.mahle-industriefiltration.com  
70329496.11/2006