

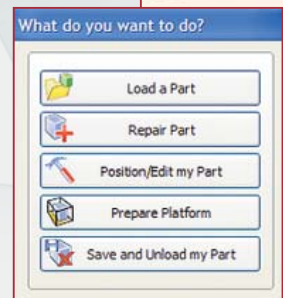
# Magics Lite

## The perfect interface between product design and your 3D printer

3D printers allow you to speed up the design process and to launch your products into the market ahead of the competition. The link between CAD and your 3D printer is the STL file, and Magics Lite offers you the opportunity to optimise this STL file. This prevents failed, expensive or low quality builds that waste your time and money. Use Magics Lite software to repair and optimise your STL files, without compromising the model.

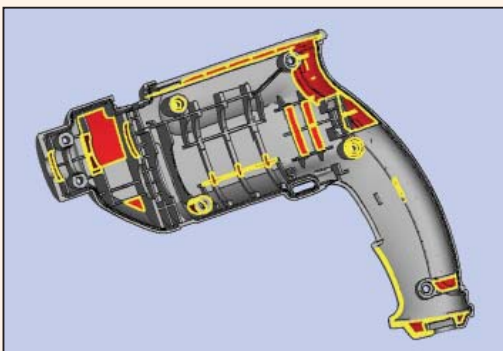
### The ideal partner for getting the very best from your 3D printer investment:

- Lower your production costs
- Maximise machine capacity
- Build high quality parts every time
- Quickly create perfect STL files
- Reduce build times
- Minimise material consumption
- Save time in platform preparation

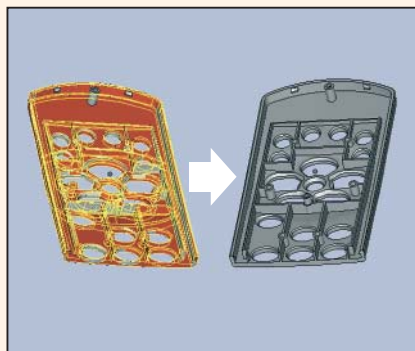


The user is coached through the entire process, making file preparation a breeze

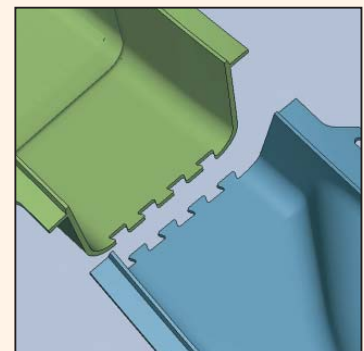
Magics Lite is the ultimate in user-friendliness, speed, and reliability. Its intuitive, well-organised interface guides the user through the file preparation process as quickly and easily as possible.



Errors are clearly highlighted

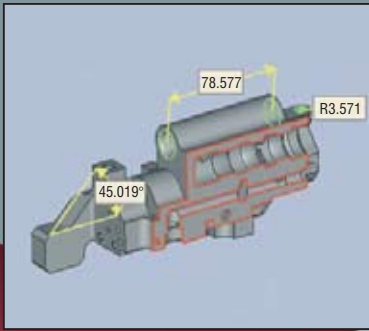


Create an error-free STL file fast



Quickly cut parts, while ensuring a perfect, easy fit afterwards

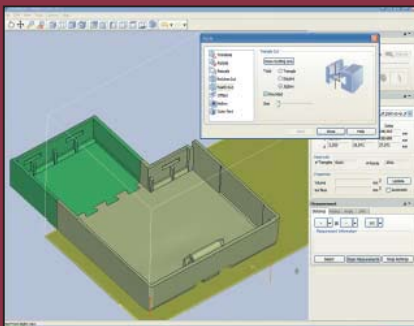
Magics Lite is the 3D printer-specific version of Magics, the proven, professional quality software solution that sets the standard for the rapid prototyping and manufacturing industry. Magics combines 15 years of industry know-how, advanced interface design and extreme programming technology into powerful, smart software that enhances its users' efficiency and productivity.



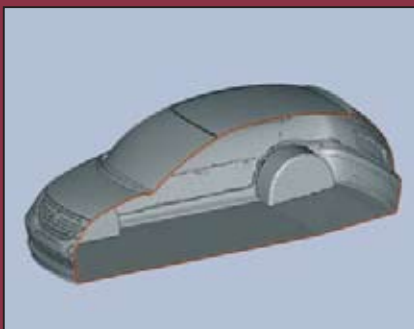
Cut-away views and extensive measuring



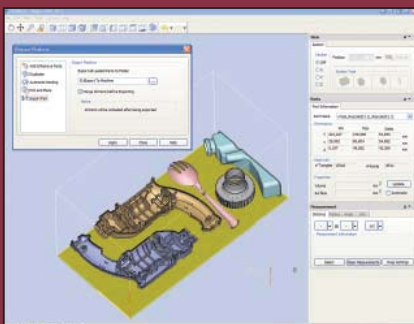
The Fix Wizard automates file repair



Easily cut parts to fit on your build platform



Minimise material consumption by hollowing your part



Speed up your platform preparation

Magics Lite's highly automated, powerful tools, tailored to the needs of 3D printers' users, enable you to correct and modify designs easily.

## Build high quality parts every time

Use Magics Lite **for a quick, thorough examination** of your STL models. By inspecting your part on screen you can avoid quality issues later on. It takes only a few mouse clicks to:

- Highlight and locate problems in STL files
- Perform 2D and 3D measurements
- Orientate your part
- Document part features and/or measurements in clear print-outs

## Create perfect STL files fast

Magics Lite provides unmatched capability to correct errors and create the perfect STL file in a matter of minutes. The Fix Wizard **automates the repair** of your STL model, which **drastically reduces the skill level and time** required to repair files

The **Fix Wizard** guides you step by step through the repair process:

- Its intuitive interface quickly identifies errors and recommends successive steps for correcting them.
- Automatic and manual fixing tools are available, for example, for inversion of flipped triangles, stitching of bad edges and filling of complex holes.

## Reduce build times, minimise material consumption and extend capability

Magics Lite also offers intelligent tools to make process-related design changes directly on your part, enabling you to utilise your 3D printer to the maximum.

- Cut your part to **fit a large part on the machine** and to **reduce build times**. You ensure an easy, perfect fit with the "teeth" cut.
- In a single mouse click you can **hollow** your part. These parts are faster to produce and ensure a minimal material cost.
- Apply an **offset** to compensate for finishing processes like machining, painting and sand blasting.
- Quickly prepare data for production on colour capable machines. You can **paint parts easily** by assigning colours to triangles or surfaces.

## Speed up platform preparation and maximise machine capacity

Magics Lite can save you time on your data pre-processing, thanks to its automated, intuitive platform preparation in 3D. Its powerful **automatic part placement** function quickly arranges the parts on the smallest possible area, which reduces build time and material consumption. In one mouse click you can then **export** your platform – if required as a single merged STL file - to your machine.

Materialise  
 Technologielaan 15 | 3001 Leuven | Belgium  
 Phone: +32 16 39 66 66  
 Email: software@materialise.be



**BIBUS SK, s.r.o., Priemyselná 4, 94901 Nitra**  
 tel: 0903 777 017 email: pc@bibus.sk  
 fax.: 037/ 651 67 01 http://www.bibus.sk